

Low-cost Plastic Lens For 1/5" Format CIF CMOS Imager

Description

DSL400 lens is a low-cost plastic lens optimized for CIF CMOS imager in a 1/5" format. The F/2.0 version is suited for building PC cameras for in-door applications. The F/2.8 version is suited for dual-mode cameras.

Key Features

- Low-cost design: single element plastic + IR filter
- Two apertures: F/2.0 for indoor application and F/2.8 for dual-mode cameras
- DSL400E for PC Cam
- DSL400L and DSL400F for low-profile applications
- Integrated IR cut-off filter
- Low-cost

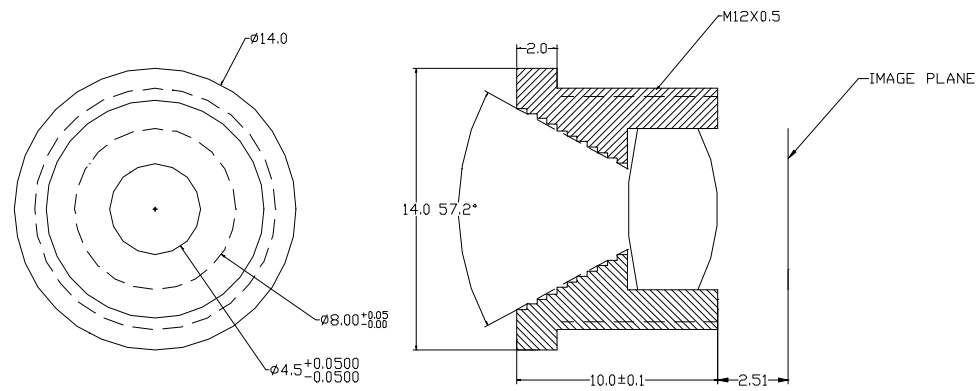
Applications

- PC Cameras
- Dual-mode cameras
- PDA, cell phone, and embedded cameras

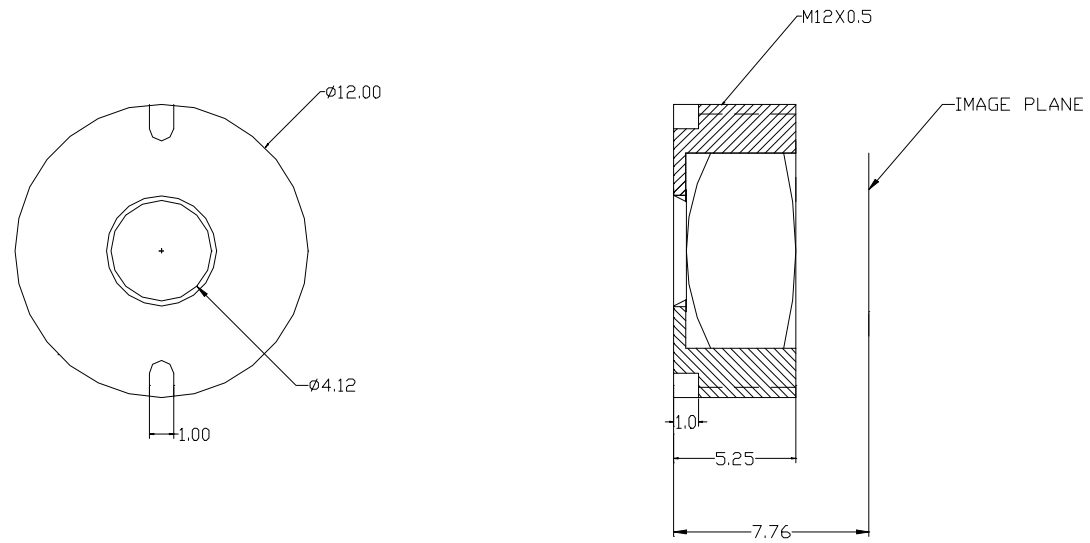
Optical specifications

PN	DSL400
Description	Standard PC CAM and low-profile lens
Imager Format	1/5"
Imager Resolution	355x288
Focal length (mm)	3.5
F/#	2 for E version 2.8 for L and F version
Max. Image Circle(mm)	3.5
Diagonal Field of View (deg)	56
35mm Equivalent Focal Length (mm)	42.0
Modulation Transfer Function (MTF)	See MTF data for details
Resolution	See MTF data for details
Distortion	-1%
Corner chief ray angle (deg)	19.64
Relative Illumination	57%
Total optical path length (mm)	5.4
Mechanical	See below
Filter Option	IR-cut filter included
Lens mount option	Various

Mechanical Dimension (DSL400E version):



Mechanical Dimension (DSL400L version):



Mechanical Dimension (DSL400F version):

