

Glass Lens For 1/4" Format VGA Imager**Description**

DSL810 lens is a multi-element glass lens optimized for VGA CMOS imager with 1/4" format. The DSL810A version is especially suited for building dual-mode digital cameras used for indoor and outdoor applications. The DSL810C and DSL810F version are recommended for low-profile applications such as PDA or cell phone cameras.

Key Features

- Optimized for 1/4" format CMOS imager (diagonal size up to 4.8mm).
- All glass elements: compatible with out-door environment
- High image quality: optimized for VGA resolution
- Aperture F/2.6: long depth of focus, optimized for fixed focus operation
- Built-in IR cut-off filter: coating type maximizing visible light transmission.

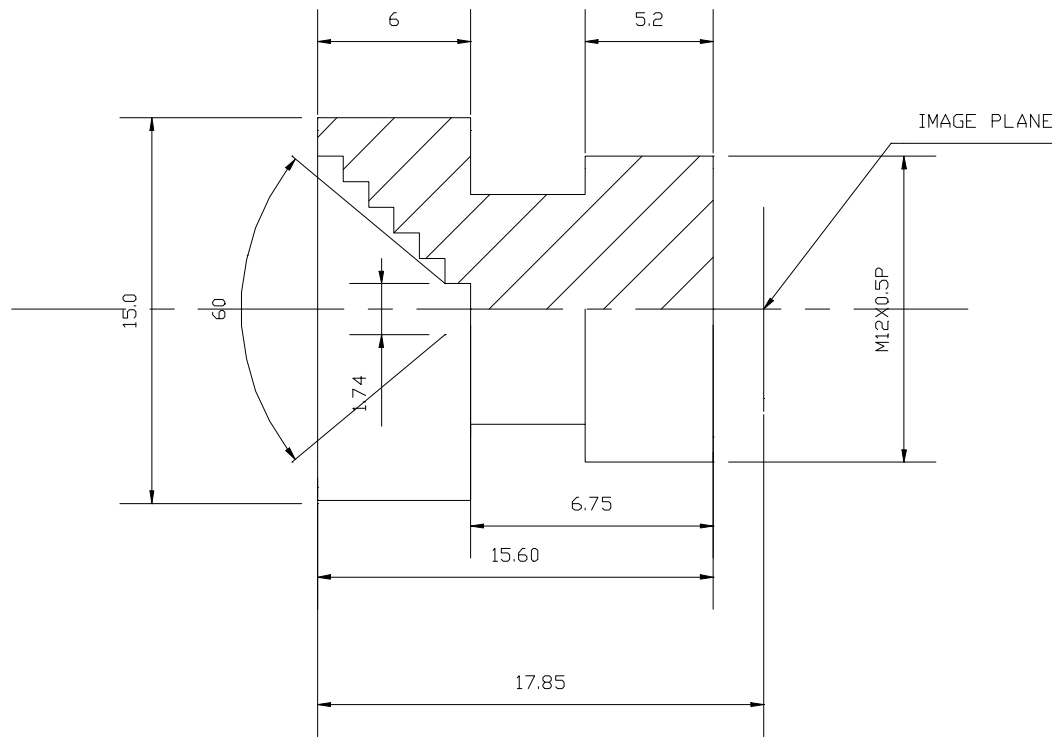
Applications

- Dual-mode digital cameras (DSL810A)
- Cell phone digital cameras (DSL810F)
- Digital cameras for PDA (DSL810C and DSL810F)
- Embedded camera modules (DSL810F)

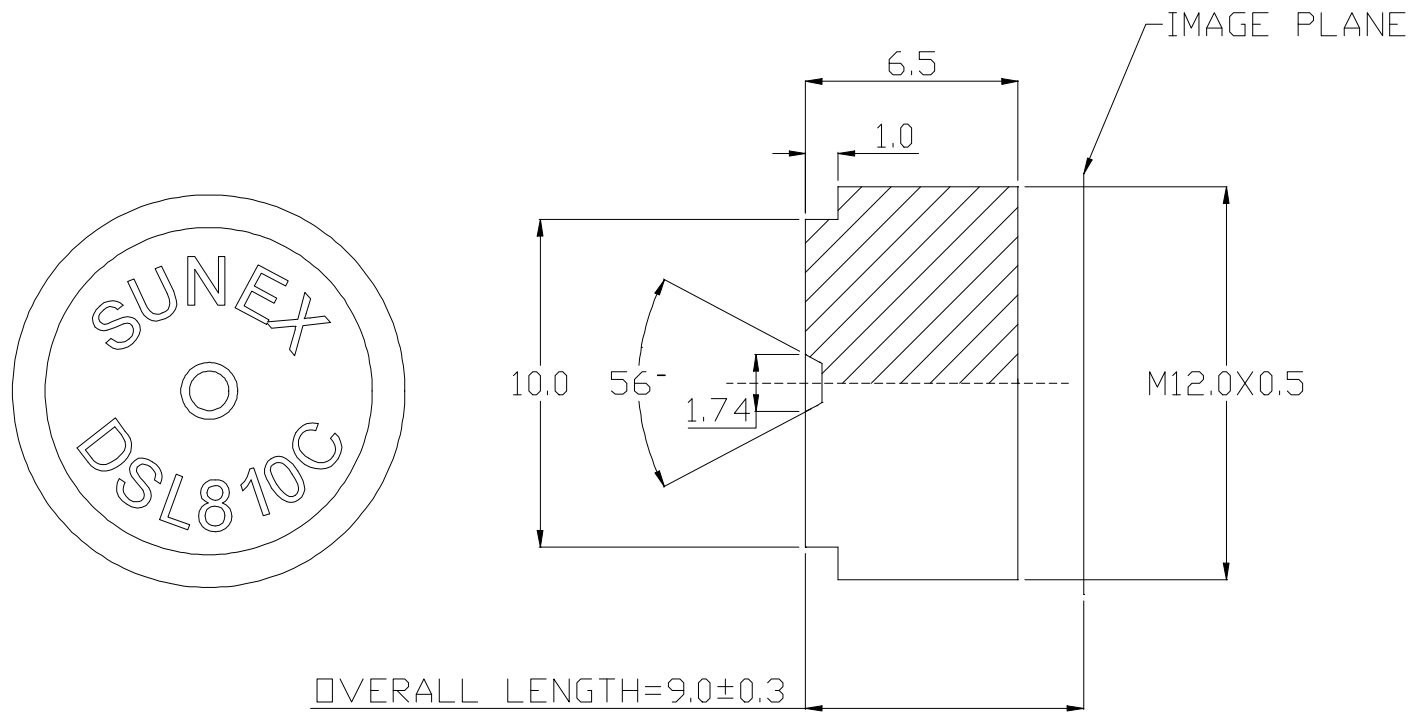
Optical specifications

PN	DSL810
Description	Dual mode and low-profile lens
Imager Format	1/4"
Imager Resolution	640x480
Focal length (mm)	4.5
F/#	2.6
Max. Image Circle(mm)	4.8
Diagonal Field of View (deg)	56.1
35mm Equivalent Focal Length (mm)	39.4
Modulation Transfer Function (MTF)	See MTF data for details
Resolution	See MTF data for details
Distortion	-0.93%
Corner chief ray angle (deg)	7.25
Relative Illumination	51%
Total optical path length (mm)	9
Mechanical	See below
Filter Option	IR-cut filter included
Lens mount option	CMT821

Mechanical Dimension (DSL810A version):



Mechanical Dimension (DSL810C version):



Mechanical Dimension (DSL810F version):

