

Low-cost all plastic lens for 1/3" VGA imager**Description**

DSL897 is a low-cost lens for 1/3" VGA CMOS imagers. This lens is made of aspheric plastic elements. DSL897B is for standard PC cam and dual-mode cameras while versions DSL897C and D are for cell phone and PDA cameras.

Key Features

- Low-cost
- Plastic aspherical elements
- IR filter included
- Low profile version: DSL897D is also available

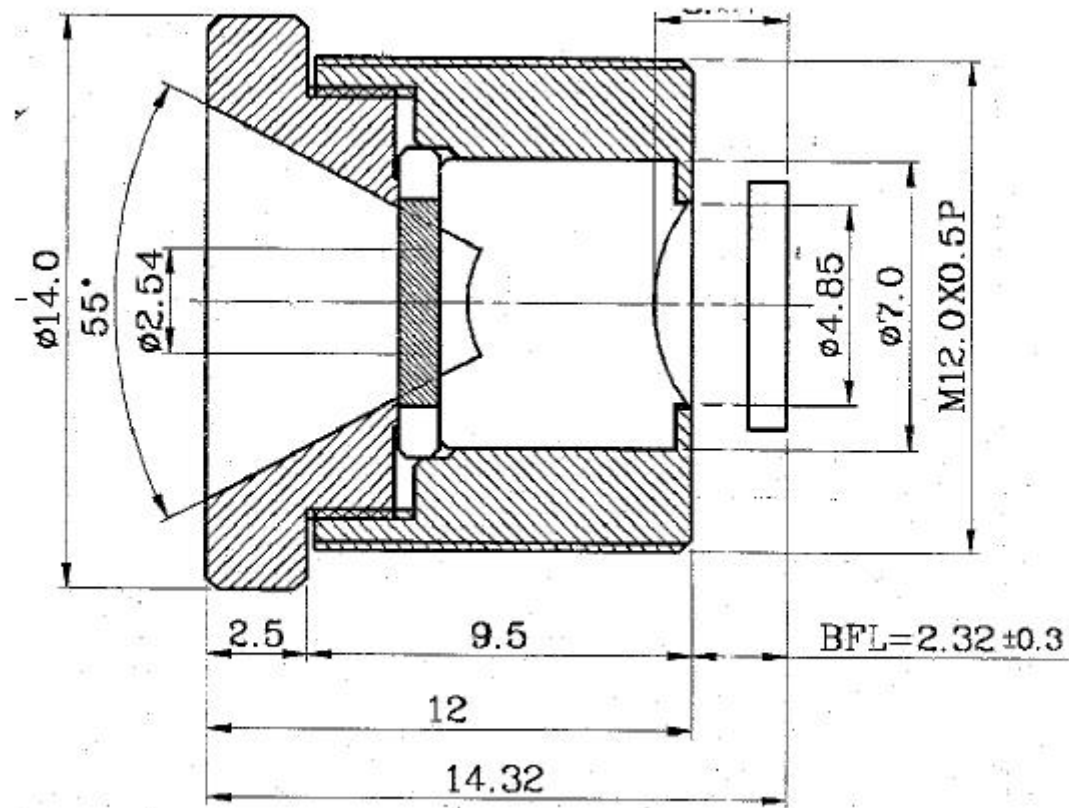
Applications

- PC cameras
- Dual-mode cameras
- Low-profile cameras for PDA and cell phone.

Optical Specifications

PN	DSL897
Description	Low-cost dual-mode DSC lens
Imager Format	1/3"
Imager Resolution	640x480
Focal length (mm)	6.4
F/#	2.5
Max. Image Circle(mm)	6.6
Diagonal Field of View (deg)	55.0
35mm Equivalent Focal Length (mm)	40.7
Modulation Transfer Function (MTF)	See MTF data for details
Resolution	See MTF data for details
Distortion	-1.50%
Corner chief ray angle (deg)	26
Relative Illumination	65%
Total optical path length (mm)	8.75
Mechanical	See below
Filter Option	IR filter included
Lens mount option	CMT821

Mechanical dimension (DSL897B):



Mechanical dimension (DSL897D):

