

Compact DSC Lens for CMOS/CCD Imager**Description**

DSL924 lens is a multi-element glass lens optimized for high resolution CCD/CMOS imager with 1/2" format. It is especially suited for building low-cost, compact digital cameras because of the low-profile property of the lens design.

Key Features

- Overall length 13.8mm from lens front physical surface to the image plane
- All glass elements: compatible with outdoor environment
- F/2.8: long depth of focus, optimized for focus operation
- High image quality
- Low-cost

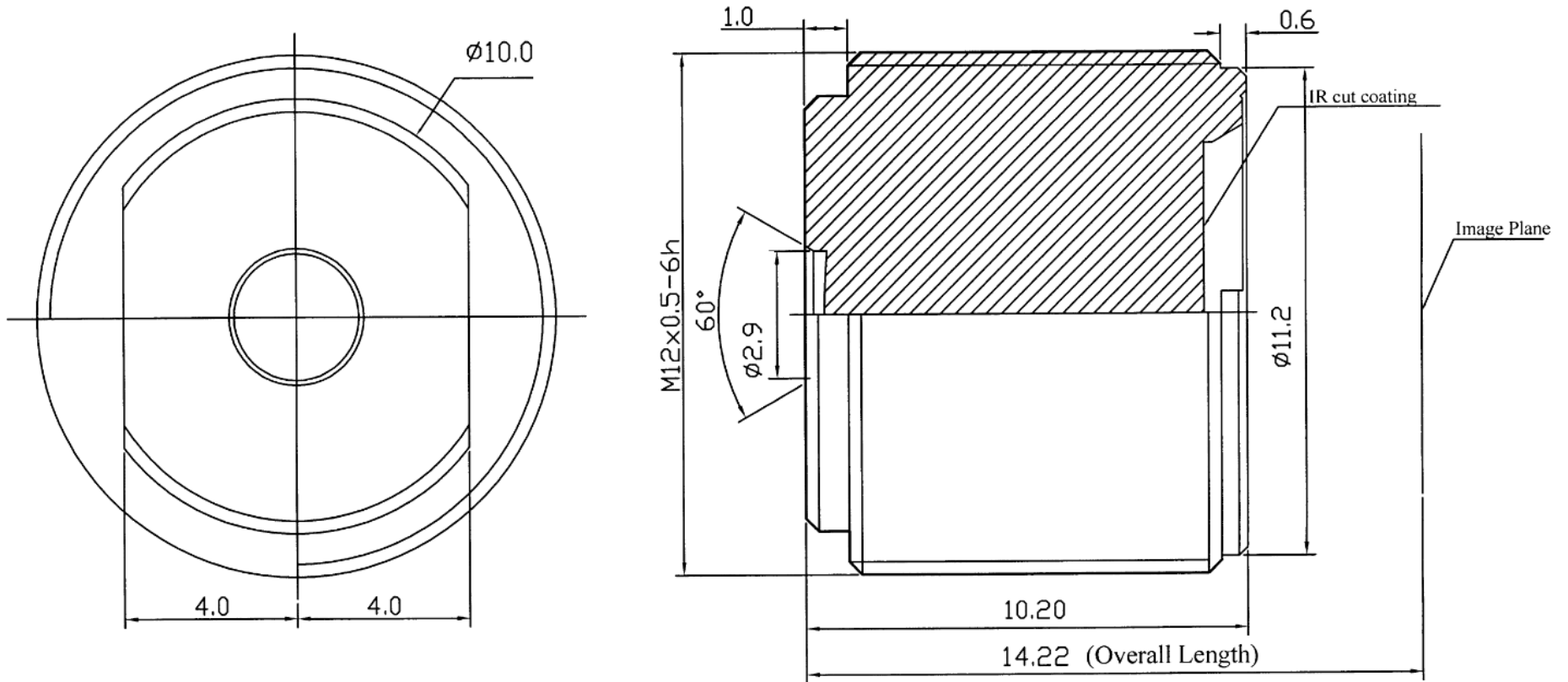
Applications

- Compact digital still cameras.

Optical specifications

PN	DSL924
Description	Low-profile DSC lens
Imager Format	1/2"
Focal length (mm)	8.1
F/#	2.8
Design Image Circle(mm)	8.4
Diagonal Field of View (deg)	55
35mm Equivalent Focal Length (mm)	42
Modulation Transfer Function (MTF)	See MTF data for details
Resolution	See MTF data for details
Distortion	-2%
Corner chief ray angle (deg)	12.7
Relative Illumination	64%
Mechanical	See below
Filter Option	IR-cut coating included
Lens mount option	Optional

Mechanical Dimension (DSL924A version):



Mechanical Dimension (DSL924B Version):

