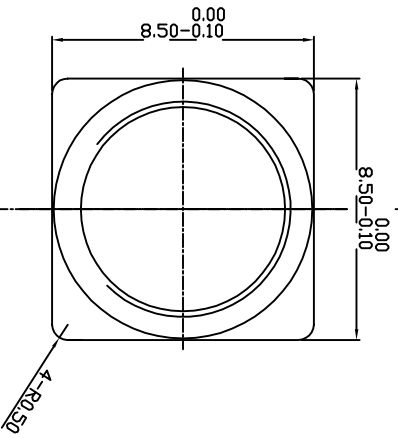
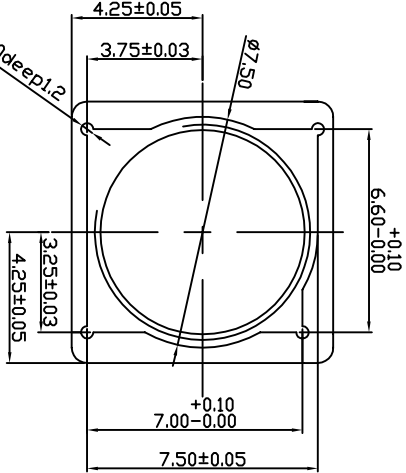


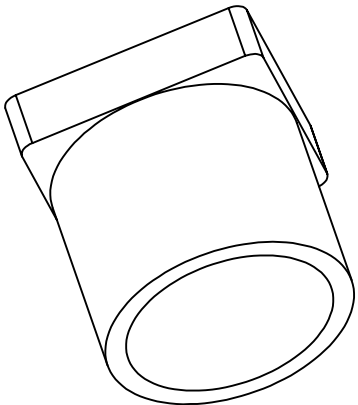
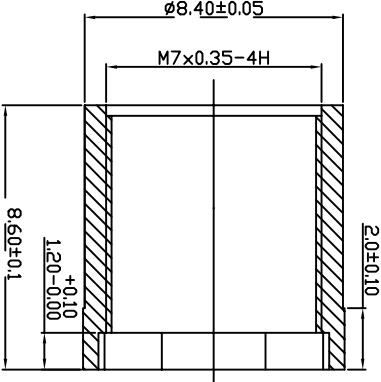
Top view



Bottom view



Side view



A		1		2		3		4		5		6	
B		1		2		3		4		5		6	
C		1		2		3		4		5		6	
D		1		2		3		4		5		6	

D						Quantity		GR	CR	Material	BRASS	Part Name	Sunex China Tel:0086-21-57740097 Fax:0086-21-57740268
C						Total	No	Date					
B						Marker	signature			Unit	mm	Scale	
A	INITIAL RELEASE					Design	<i>Digo</i>	<i>11.25.04</i>		Rev	A		Description
NO.	REVISION CONTENT					Check							HOLDER
						Approve							