

### Ultra-Compact Day/Night Wide Angle Lens



### Description

The DSL235 is a miniature wide angle lens designed for 2-3MP image sensors with 1/3" format. The DSL235 is optimized for Day/Night applications with active illumination in the Near Infrared, which makes it ideal for space constrained applications utilizing 850nm or 940nm active illumination.

### Key Features

- Hybrid design to reduce size
- Day/Night optimized
- Wide Angle field of view

### Optical Specifications

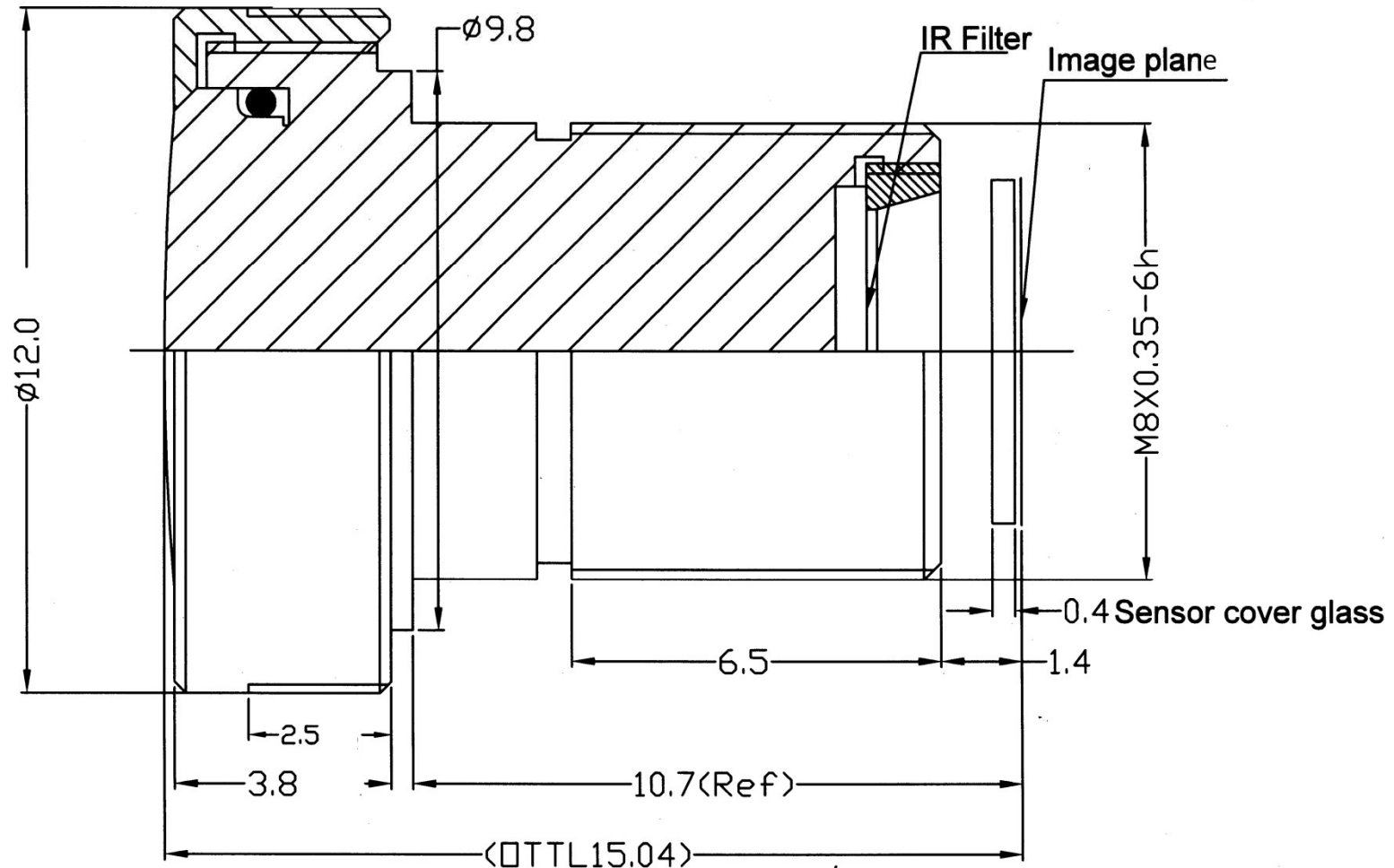
Sunex PN DSL235	
Description	Miniature wide angle lens
Imager Format	1/3"
Nominal Imager Resolution	2MP-3MP
Focal Length	3.0mm
Relative Aperture (F/#)	F/3.2 (F/2.2 available)
Image Circle	6.0mm
Field of View	160° at 6.0mm image circle
Total Track Length	15mm
Distortion	-28% from F- $\theta$
Chief Ray Angle	23° at 6.0mm image circle, linear
IR cut-off filter	Optional 650nm IR cut-off filter

### Applications

- Wearable cameras
- Security/Surveillance
- Consumer cameras

### DSL235E-650-F3.2 and DSL235E-NIR-F3.2 Mechanical Dimensions [mm]:

Note: DSL235E is intended for use with Sunex CMT233 or CMT683 mount



SUBJECT TO CHANGE WITHOUT NOTICE

**Sunex, Inc.**  
Telephone: +1 760 597 2966  
www.sunex.com