

All Glass Lens for 1" Format Imager

Description

The DSL300 is a multi-element glass lens optimized for a 1" or smaller imager formats.

Key Features

- All glass elements: compatible with outdoor environment
- F/4.2 aperture provides good depth of field
- High image quality (MTF)
- Integrated IR cut-off filter optional

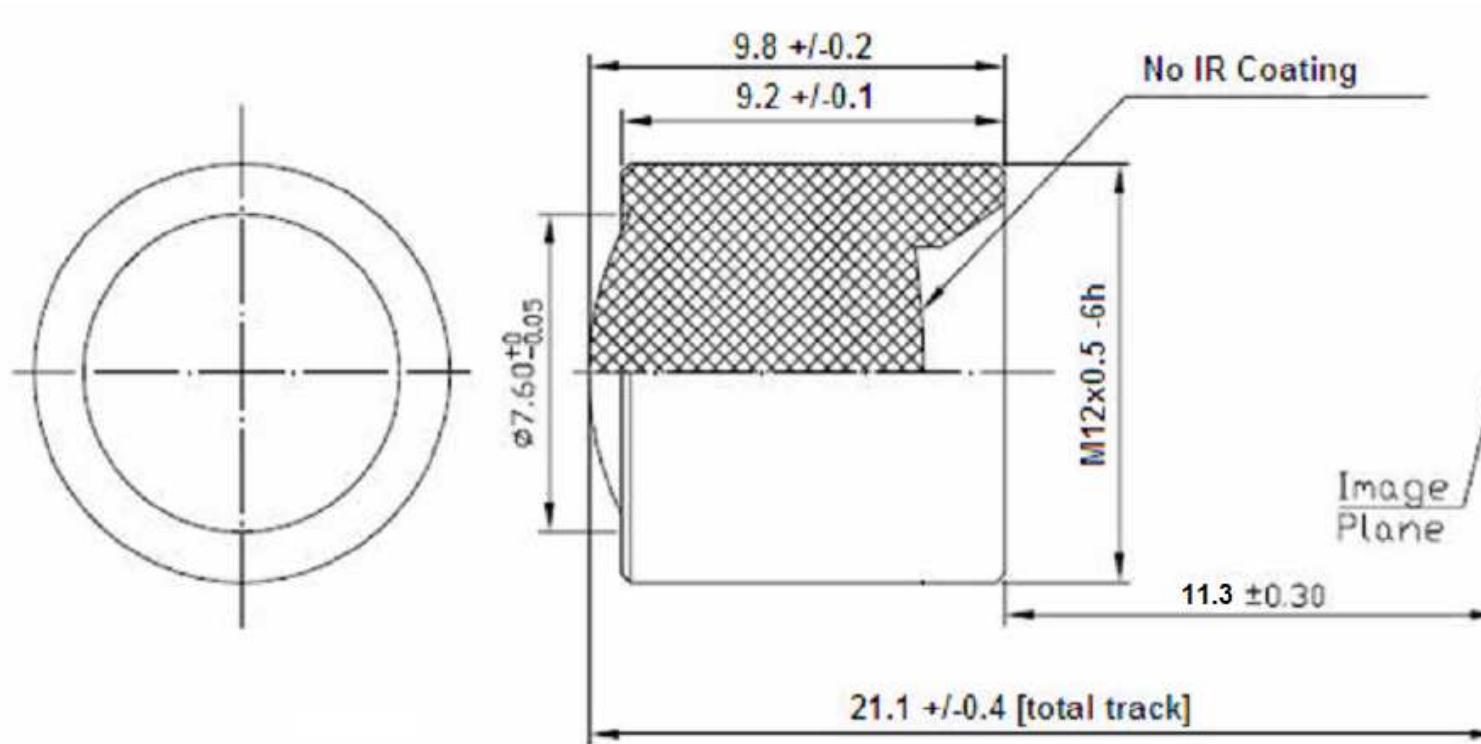
Applications

- Digital still cameras
- Industrial cameras
- Finite imaging applications

Optical Specifications

Sunex P/N DSL300	
Description	Standard DSC lens
Imager Format	1"
Imager Resolution	Up to 1.3mp
Focal Length [mm]	17.1
F/#	4.2
Max. Image Circle [mm]	14.6
Diagonal Field of View [degrees]	46
35mm Equivalent Focal Length [mm]	50
MTF	Contact Sunex for details
Distortion	-0.9%
Total optical path length [mm]	21.1
Mechanical	See drawing below
Filter Option	Available on request

DSL300E-NIR Mechanical Dimensions: (Metal Barrel)



SUBJECT TO CHANGE WITHOUT NOTICE

Sunex Inc.
Telephone: +001 760.602.0988
Order samples online at www.optics-online.com