

Miniature HDR Superfisheye



Description

The DSL367 is a superfisheye lens with no ghost (120dB) functionality, ideal for HD/HDR imagers. Hybrid construction allows for a cost-effective solution. Other features include Tailored Distortion profile and a low F/#.

Key Features

- Hybrid construction
- Tailored Distortion
- 120dB HDR
- Superfisheye

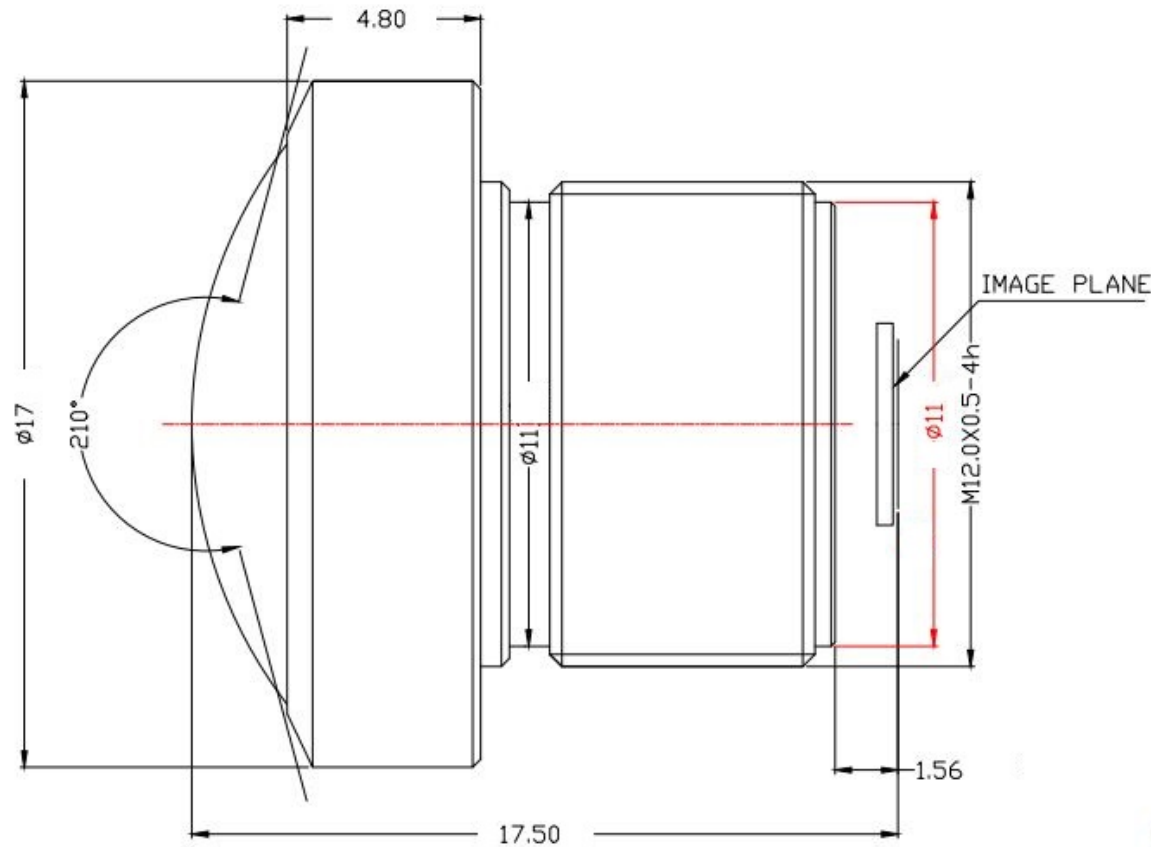
Optical Specifications

Sunex PN DSL367	
Description	Fisheye, HDR
Imager Format	1/4"
Nominal Imager Resolution	1.3MP
Focal Length	0.98mm
Relative Aperture (F/#)	2.1
Image Circle	4.2mm image circle
Field of View	210° @4.2mm image circle (190° @3.84mm image circle)
Total Track Length	17.5mm
Distortion	15.4% f-theta
Chief Ray Angle	15° @3.84mm image circle
IR cut-off filter	-650nm

Applications

- Automotive
- Security
- IOT

DSL367B-650-F2.1 and DSL367B-NIR-F2.1 Mechanical Dimensions [mm]:



Notes:

- 1.EFL:0.98
- 2.F#:2.1
- 3.Barrel material:Black anodized AL6061
Cap material:Black anodized AL6061