

## Miniature Wide-angle Lens



### Description

DSL377 lens high-resolution, miniature Tailored Distortion™ wide-angle lens designed for use with 1/2.5" and 1/2.3" format imagers and multi megapixel resolution.

### Key Features

- Image circle up to 1/2.3" format with a full field of view of 134°.
- Exclusive Tailored Distortion™ technology provides a "truer" and more natural wide-angle perspective over traditional wide-angle lenses.
- High image quality for HD videos.
- Hybrid design with aspheric elements
- Compact size

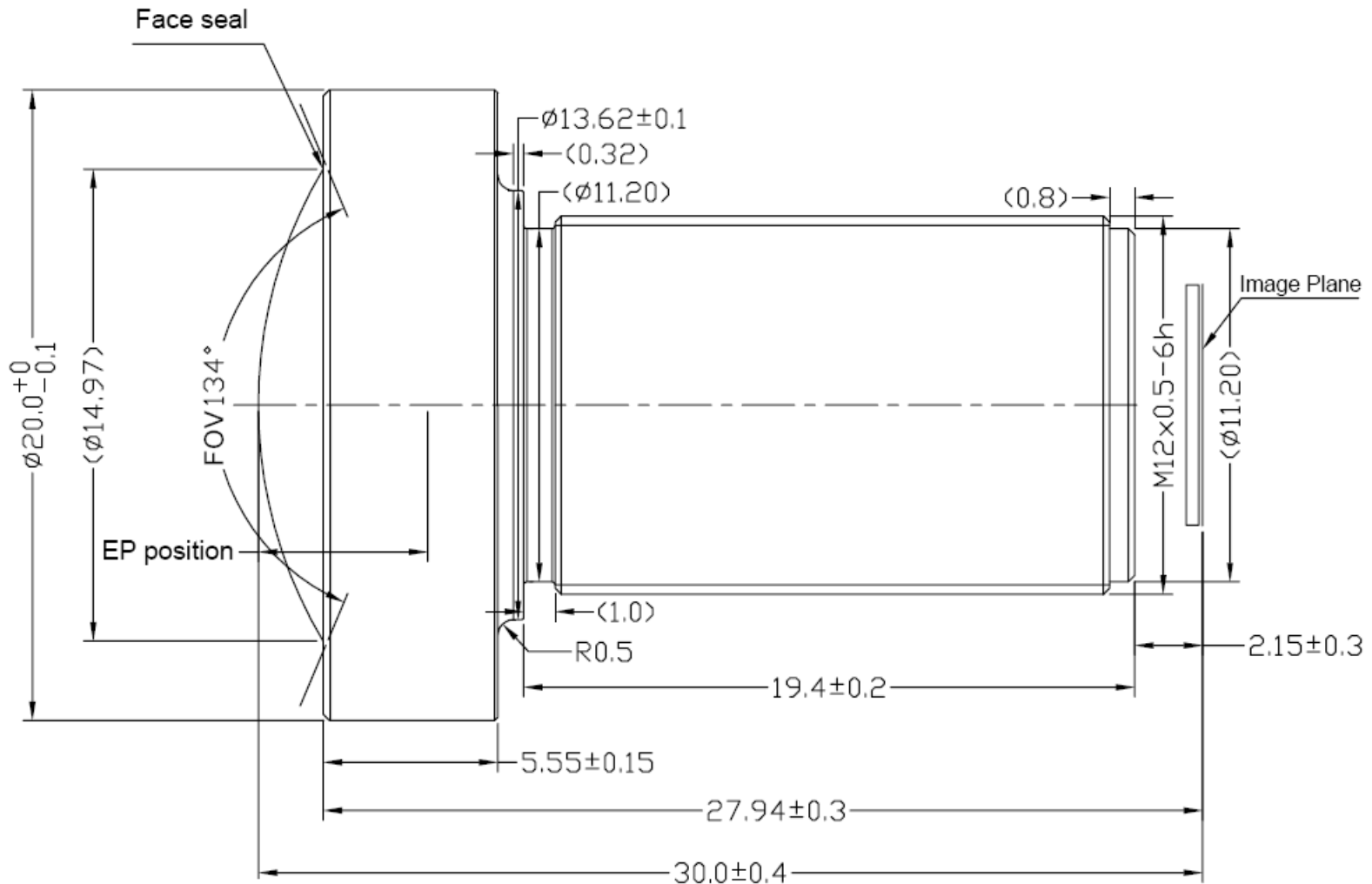
### Applications

- Security and surveillance cameras
- Sports cameras

## Optical Specifications

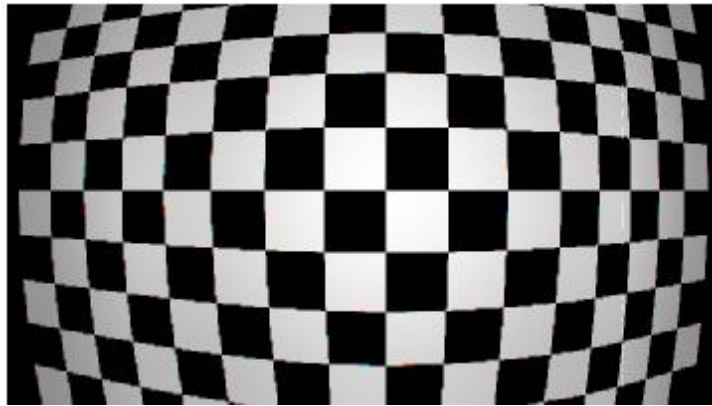
PN	DSL377
Description	Miniature wide-angle lens with Tailored Distortion™
Imager Format	1/2.5" and 1/2.3"
Focal Length (mm)	2.5
F/#	2.8
Image circle	7.7mm
Field of view	See table below
F-θ Distortion	+31% at full image circle See diagram below
Relative Illumination at full image circle	50%
Design MTF @100lp/mm	~70% on-axis ~ Saggital 65% at +/-50° ~ Tangential 40% at +/-50°
Chief Ray Angle at full image circle	~14°
IR Filtering	Included as a coating on the lens surface. Cut-off wavelength 650nm+/-10nm.

DSL377A Mechanical Dimensions

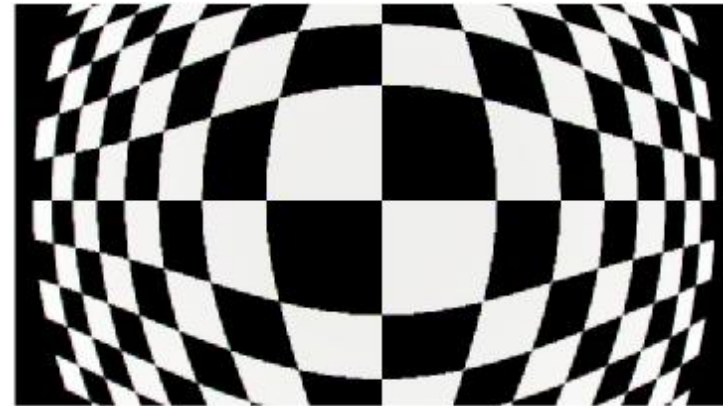


Note:  
Barrel Material: Black anodized AL

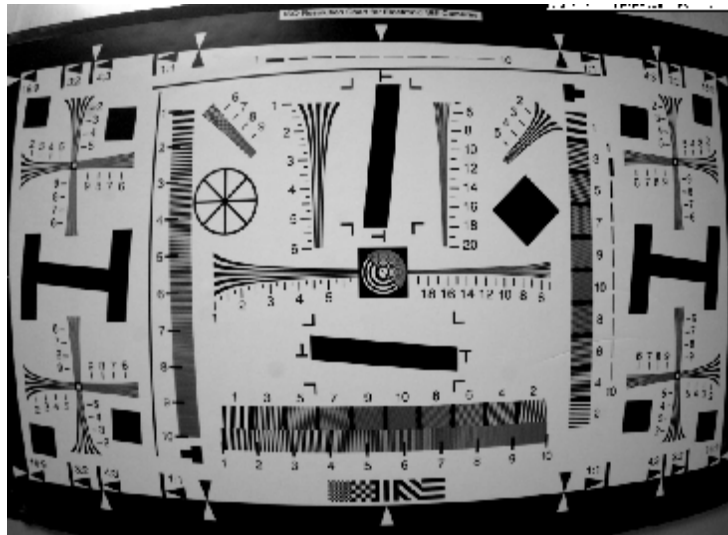
**Advantages of Tailored Distortion™ Technology  
DSL377 design with Tailored Distortion™**



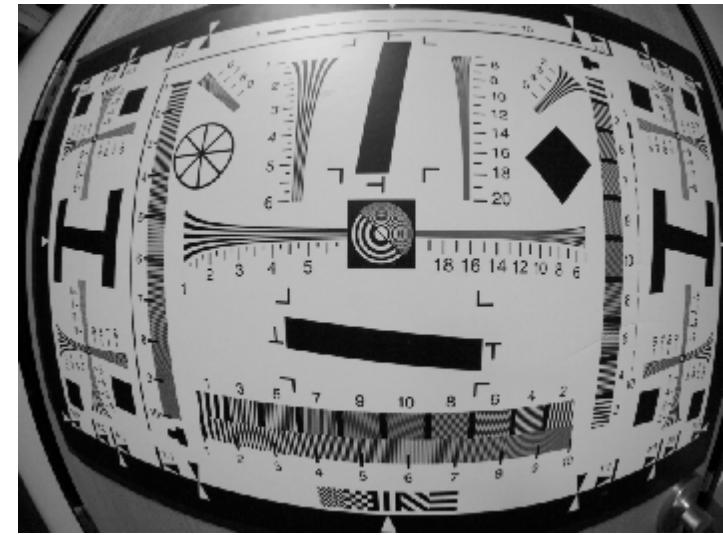
**Standard wide-angle lens**



**DSL377 design with Tailored Distortion™**



**Standard wide-angle lens**



## DSL377 - Field Of View Table

Sensor Format	1/2.5" 5MP		1/2.3" 10MP	
HD mode	720P (binned) Horizontal width =5.63 Vertical height =3.17 Diagonal size =6.46	1080p Horizontal width =4.22 Vertical height =2.37 Diagonal size =4.84	720p (binned) Horizontal width =4.27 Vertical height =2.40 Diagonal size =4.9	1080p (binned) Horizontal width =6.41 Vertical height =3.60 Diagonal size =7.35
HFOV	109	87	88	119
VFOV	68	52	53	76
DFOV	120	97	98	131