

Miniature Wide-angle, 4K Lens



Description

The DSL385 lens is a miniature Tailored Distortion™ wide-angle lens designed for use with up to 12 Megapixel 1/2.7" format imagers.

Key Features

- Exclusive Tailored Distortion™ technology provides a "truer" and more natural wide-angle perspective over traditional wide-angle lenses.
- HDR Optimized™ for stray light and ghosting
- High image quality for HD videos.
- Hybrid design with aspheric elements for superior resolution and low distortion.
- Compact size

Optical Specifications

Sunex PN DSL385	
Description	Miniature wide-angle lens with Tailored Distortion™
Imager Format	1/2.7"
Nominal Imager Resolution	11MP
Focal Length	2.33mm
Relative Aperture (F/#)	F/2.8
Image Circle (nominal)	7mm
Field of View	150° @7mm FOV
Total Track Length	24mm
Distortion	+ 15% F-Theta
Chief Ray Angle	12.2° at 7mm image circle
IR cut-off filter	Optional IR cut-off filter

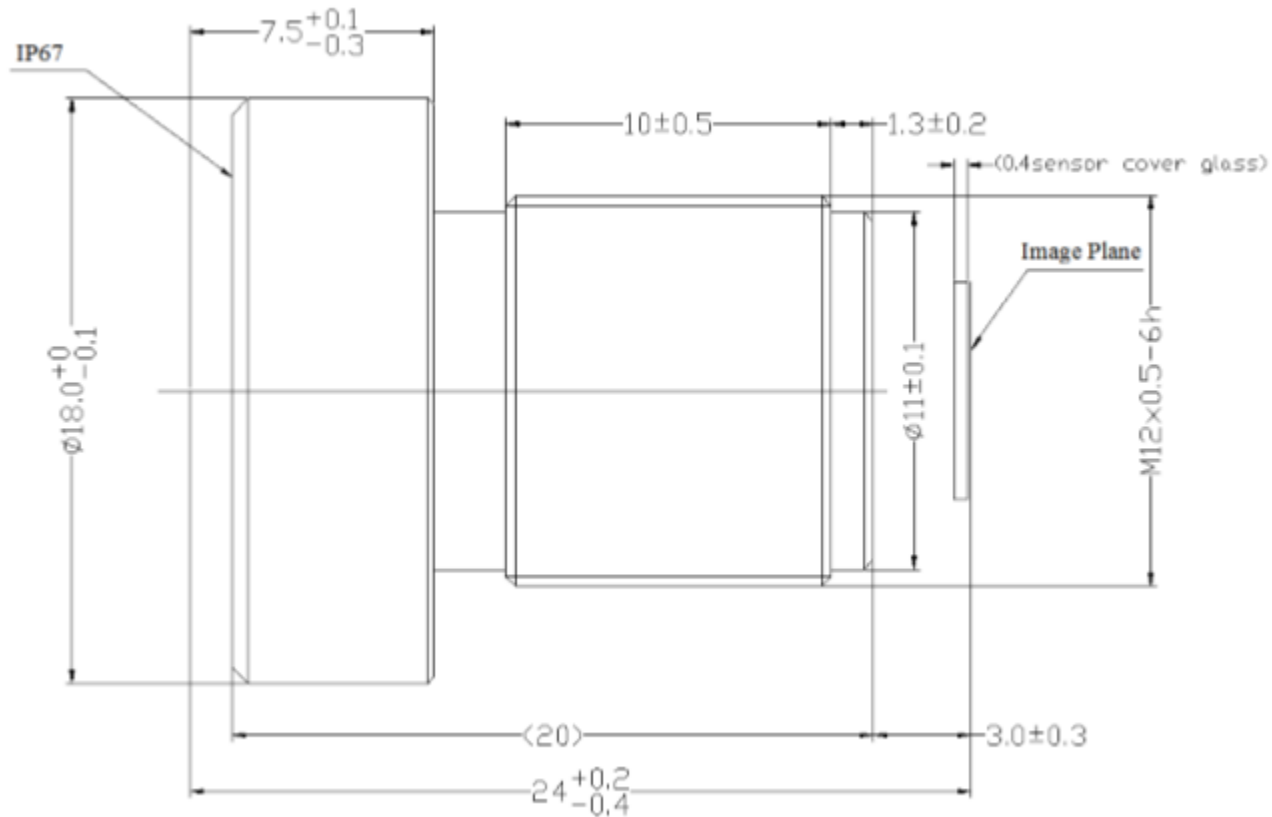
Applications

- Sports and action cameras
- Video conferencing
- Security and surveillance
- Drone

Excellence in Digital Imaging Optics

DSL385A-670-F2.8 and DSL385A-NIR-F2.8 Mechanical Dimensions [mm]:

Note: DSL385A is intended for use with Sunex CMT821



SUBJECT TO CHANGE WITHOUT NOTICE

Sunex, Inc.
Telephone: +1 760 597 2966
www.sunex.com