

### DSL618 Miniature Tailored Distortion™ Lens



#### Description

The DSL618 is a Tailored Distortion™ miniature SuperFisheye lens designed for 4K+ imagers up to 2/3" format. It will give a full Horizontal (185°) FOV on a 1/2.3" imager and full circular image on a 2/3" imager. The ultra-low F/# gives this lens excellent low-light performance.

#### Key Features

- Tailored Distortion™
- Ultralow F/# (F/1.8)
- Compact
- Thermally stable

#### Optical Specifications

Sunex PN DSL618	
Description	Tailored Distortion™ Fisheye Lens
Imager Format	Up to 2/3"
Nominal Imager Resolution	10-12MP
Focal Length	1.8mm
Relative Aperture (F/#)	F/1.8
Image Circle	6.2mm
Field of View	185° at 6.2mm image circle
Total Track Length	27.8mm
Distortion	+9.6% from F- $\theta$
Chief Ray Angle	11.3° max at 6.2mm image circle
IR cut-off filter	Optional IR cut-off filter

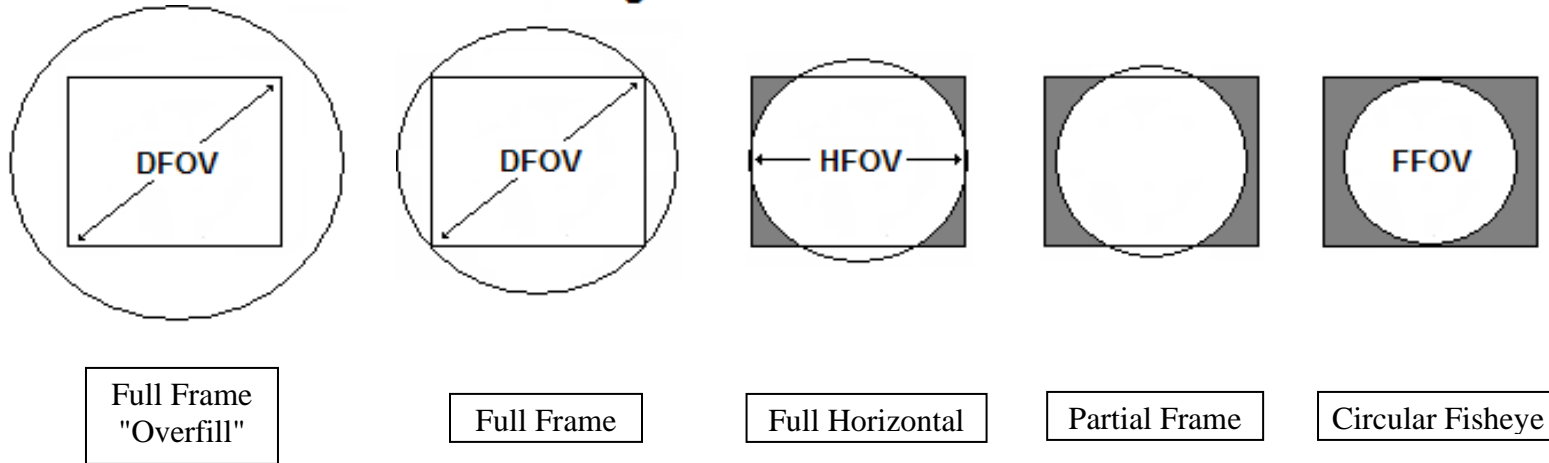
#### Applications

- Security
- Automotive Surround View
- VR/AR
- Drone
- Video Conferencing

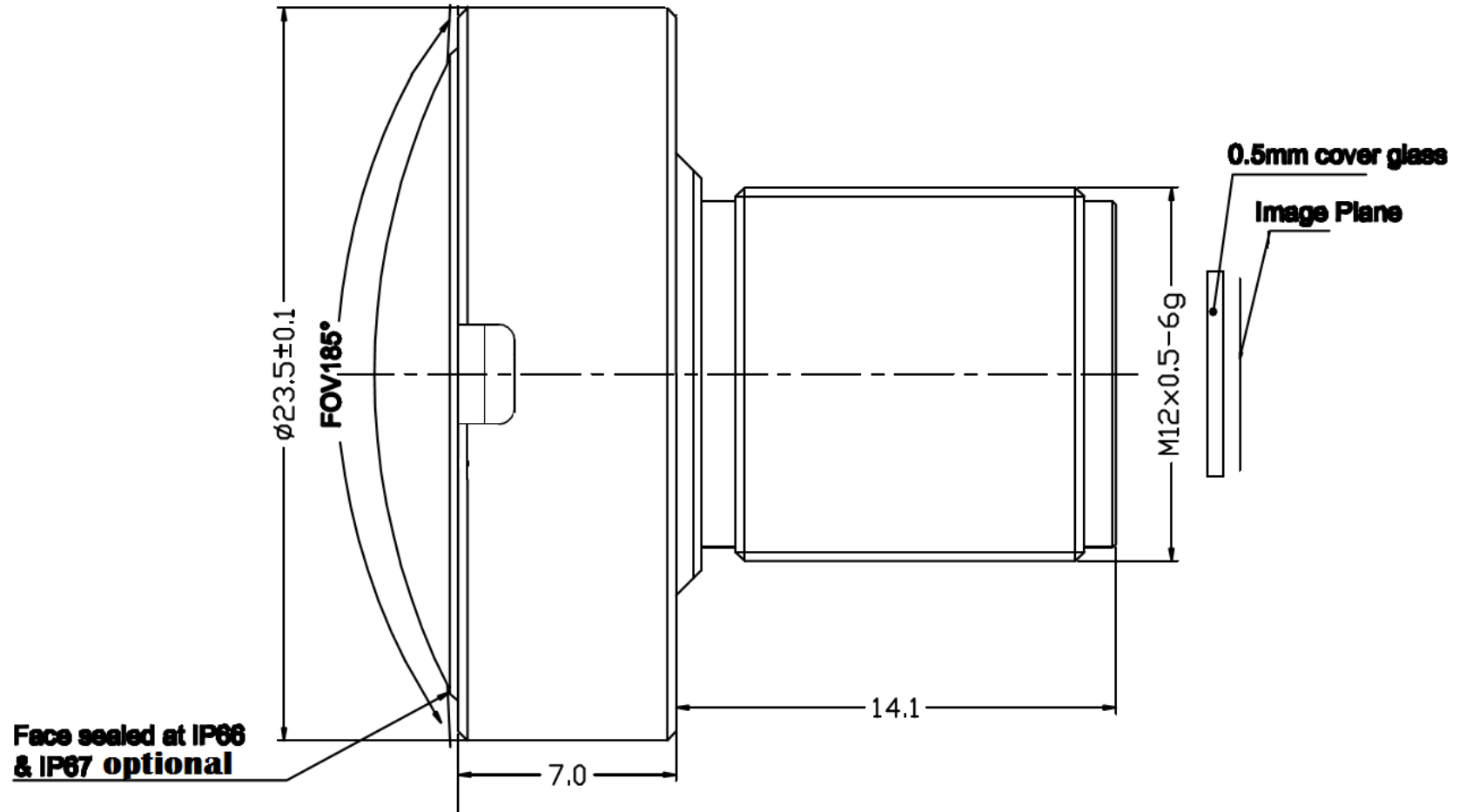
Excellence in Digital Imaging Optics

Image circle format using a 4:3 aspect ratio imager:

### Image Circle vs. Sensor Format



**DSL618C-NIR-F1.8 Mechanical Dimensions [mm]:**



DSL618C-650-F1.8 Mechanical Dimensions [mm]:

