

4k + 1NCH™ Large Format Wide Angle Lens



Description

The DSL696 is a large format, hybrid fisheye lens designed to give full-circular image on large 1" Format sensors with resolution up to 20MP.

Key Features

- 1NCH™ format
- High Resolution
- Wide Angle

Optical Specifications

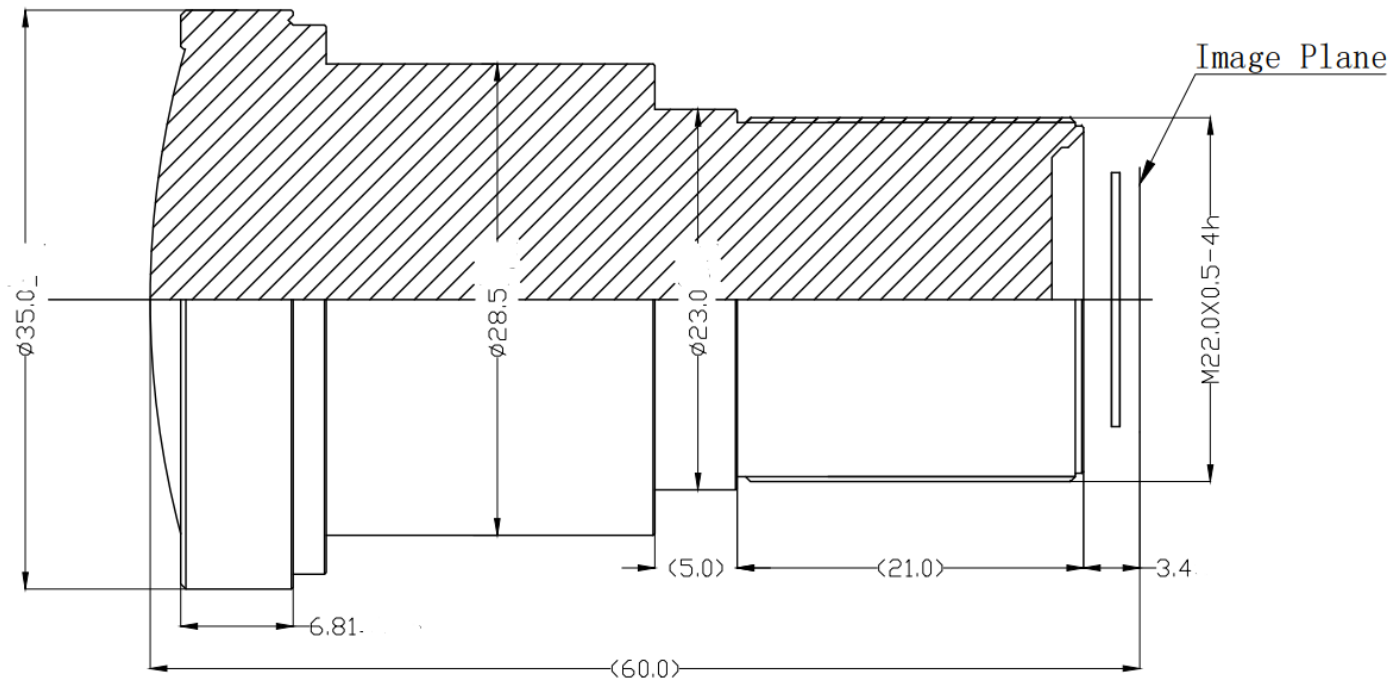
Sunex PN DSL696	
Description	Hybrid 1NCH™ Wide Angle Lens
Imager Format	1" Class
Nominal Imager Resolution	20MP
Focal Length	5mm
Relative Aperture (F/#)	2.8
Image Circle	16.0mm
Field of View	148° @16.0mm
Total Track Length	60mm
Distortion	+22% f-theta
Chief Ray Angle	9.8°
IR cut-off filter	Optional 650nm IR cut

Applications

- Security/Surveillance
- Video Conferencing
- Immersive Imaging

DSL696A-NIR-F2.8 and DSL696A-650-F2.8 Mechanical Dimensions [mm]:

Note: DSL696 is intended for use with Sunex CMT318A



Note:

1.EFL=5.48mm:

2.F/#=2.8:

3.Barrel and cap material anodized AL6061 ;