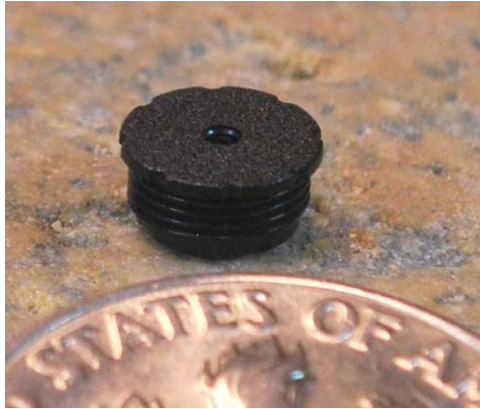


**Low-Profile Lens for 1/4" Mega-Pixels Imagers****Description**

DSL756B (replaces the DSL756A) lens is 1/4" format, all-plastic lens with a total track length of 4.98mm. It is designed for compact camera applications where a small lens is required.

**Key Features**

- Optimized for 1/4" format CMOS imager with VGA to multi-megapixel resolution
- All plastic design reduces cost and weight
- Aspheric elements provide excellent image quality
- Low profile and small size

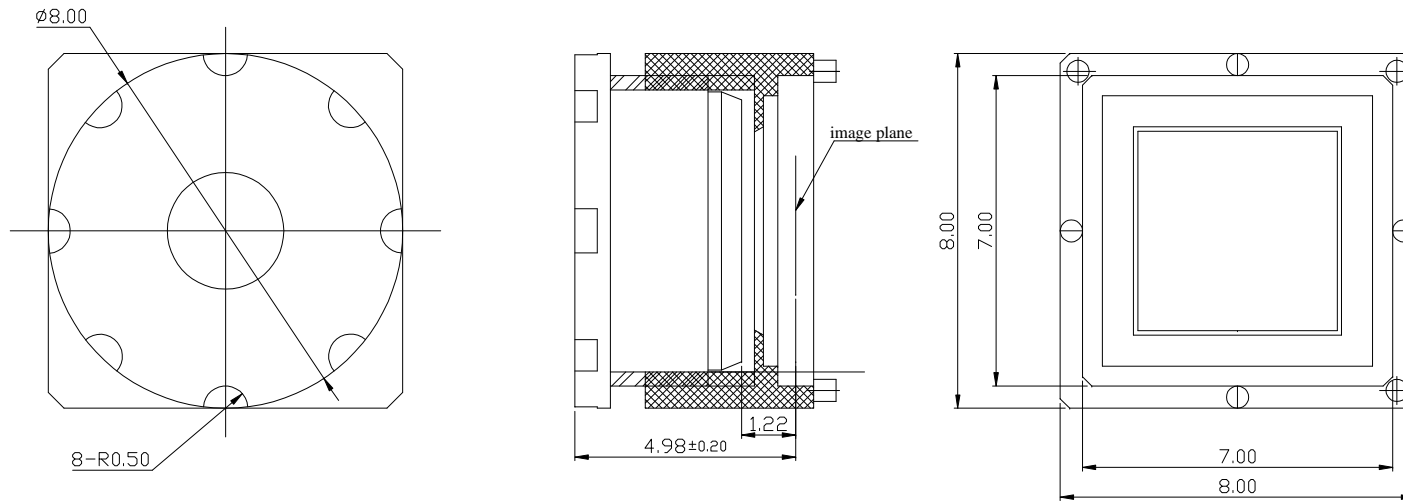
**Applications**

- Mobile Phone Cameras and Consumer Products
- Compact DSC
- PDA and Compact Electronics

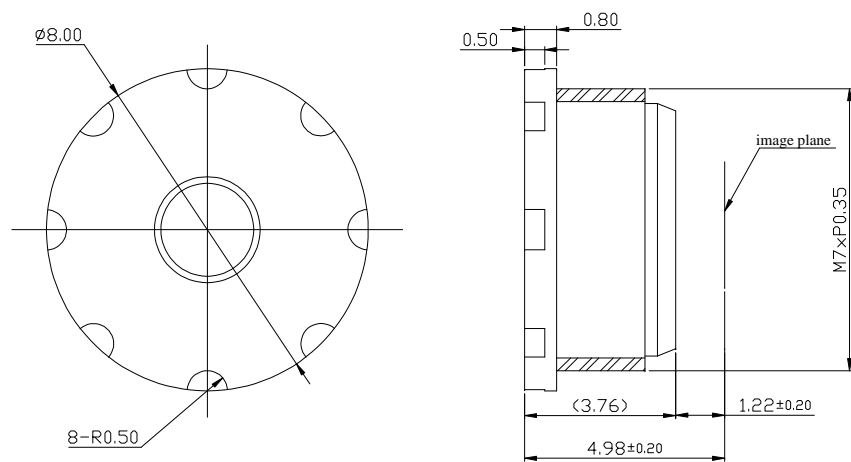
**Optical Specifications**

PN	DSL756B
Description	Compact Plastic Lens
Imager Format	1/4"
Focal Length (mm)	3.8
F/#	2.8
Max. Image Circle (mm)	4.9
Diagonal Field of View (deg)	60
35mm Equivalent Focal Length (mm)	34
Distortion	<1%
Relative Illumination	60%
Total Optical Track Length (TTL) (mm)	4.98
Chief Ray Angle (deg)	22
Mechanical	See below
IR Filter	Optional (Included in holder)
Lens holder	Optional

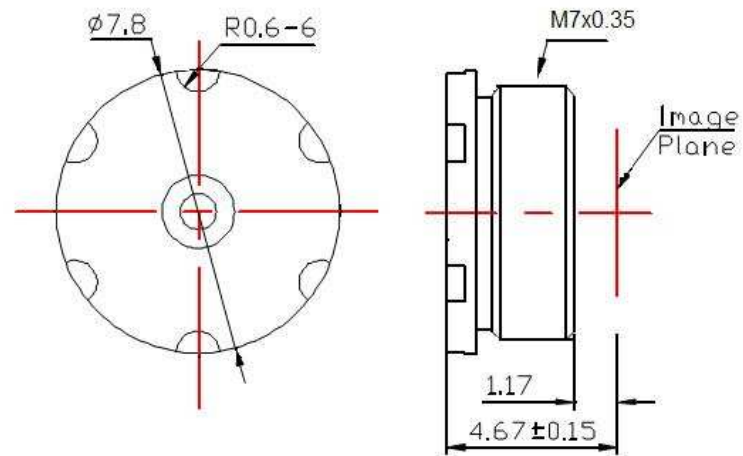
**DSL756B Mechanical Dimensions (DSL756B with Holder CMT756B)**



**Mechanical dimension (DSL756B lens only)**



DSL756A Mechanical Dimensions (DSL756A with Holder CMT756)



CMT756 Mechanical Dimensions

