

#### Glass Lens For 1/3" Format VGA CMOS Imager

##### Description

DSL821 lens is a multi-element glass lens optimized for VGA CMOS imager with 1/3" format. It is especially suited for building digital still cameras used for mostly out-door applications. The lens includes an absorptive type IR filter providing best color tone for digital imaging applications

##### Key Features

- Optimized for 1/3" format CMOS imager (diagonal size up to 6.8mm).
- All glass elements: compatible with out-door environment
- High image quality: optimized for VGA resolution
- Aperture F/2.8: long depth of focus, optimized for fixed focus operation
- Built-in absorptive IR cut-off filter provides best color tone.

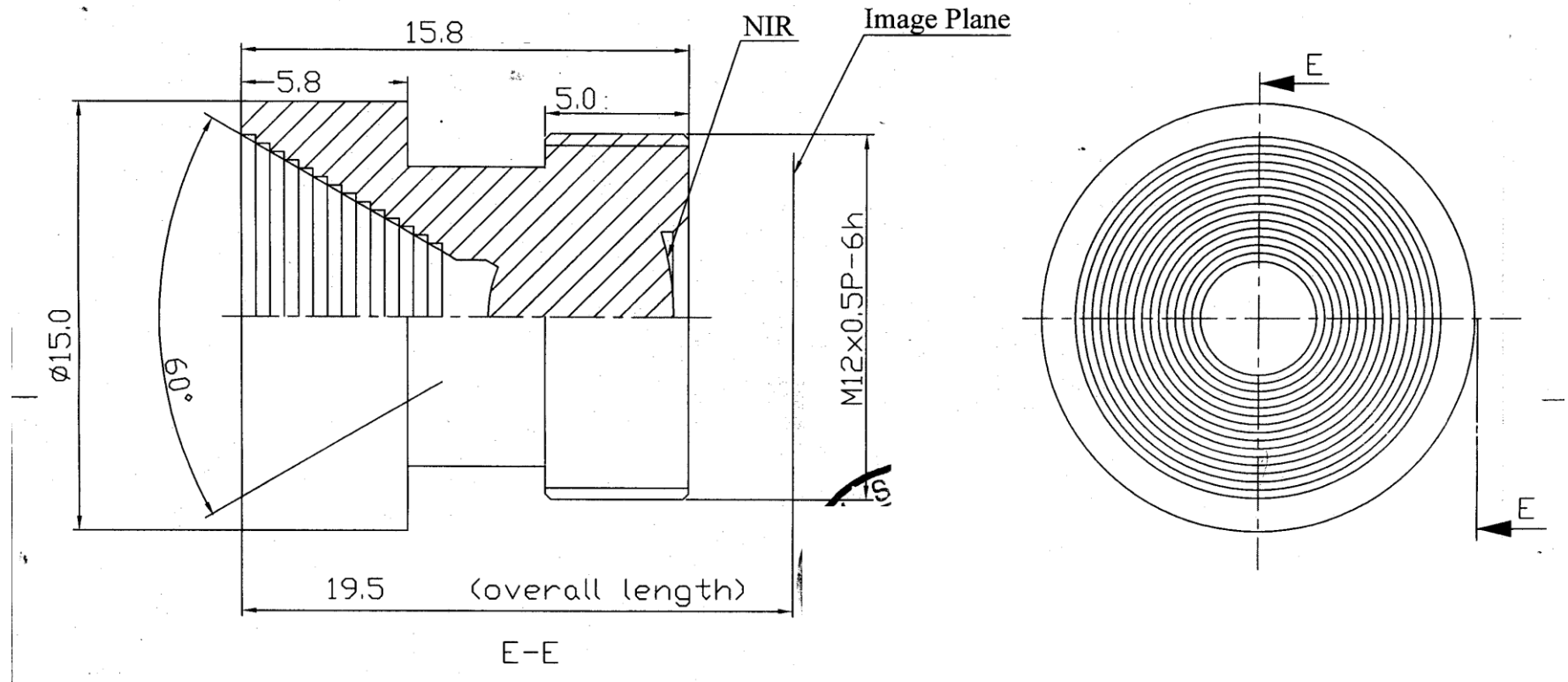
##### Applications

- Digital still cameras

##### Optical specifications

PN	DSL821
Description	Standard DSC lens
Imager Format	1/3"
Focal length (mm)	6
F/#	2.8
Max. Image Circle(mm)	6.8
Diagonal Field of View (deg)	55
35mm Equivalent Focal Length (mm)	43
Modulation Transfer Function (MTF)	See MTF data for details
Resolution	See MTF data for details
Distortion	-1.63%
Corner chief ray angle (deg)	8.77
Relative Illumination	62%
Total optical path length (mm)	19.2
Mechanical	See below
Filter Option	IR-cut glass filter included with standard version DSL821Cnir has no IR filter.
Lens mount option	CMT821

Excellence in Digital Imaging Optics  
Mechanical Dimension (DSL821C-NIR version):



SUBJECT TO CHANGE WITHOUT NOTICE

**Sunex, Inc.**  
Telephone: +1 760 597 2966  
[www.sunex.com](http://www.sunex.com)