

Compact Lens for 1MPx HDR Sensors



Description

The DSL947 lens is a compact lens designed for automotive forward machine vision (sensing) and wing mirror replacement cameras using high dynamic range (HDR) sensors with 1MPx resolution or more. The lens features a low F-number required for good light performance and high frame rate applications. The all-glass design provides stable image quality over a wide temperature range.

Key Features

- Compact Size
- F/1.6 for low light and high framerate cameras
- Excellent thermal Stability
- Optimized for HDR sensors

Optical Specifications

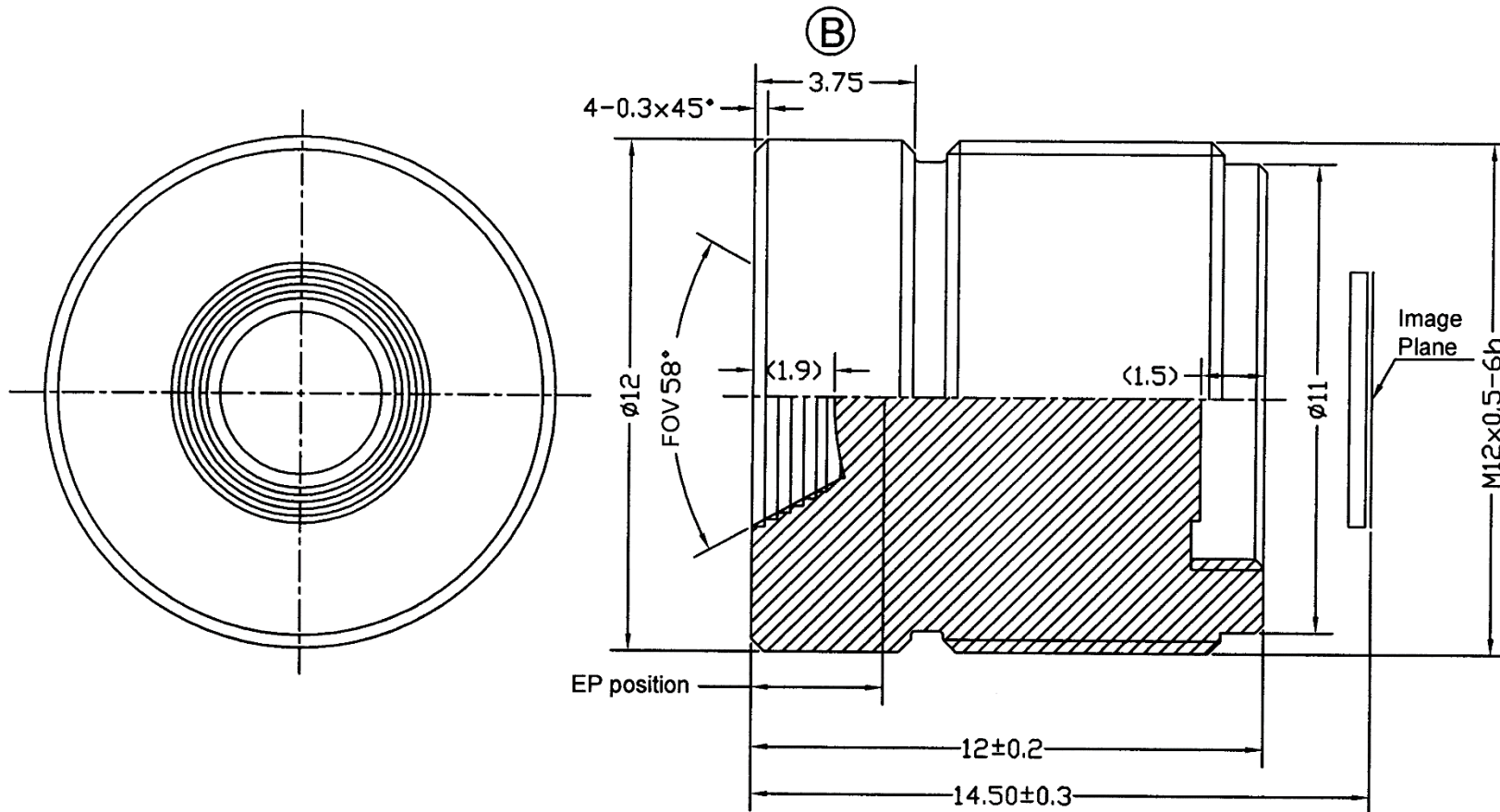
Sunex PN DSL947	
Description	Megapixel Low-Light Miniature Lens
Imager Format	1/3"
Imager Resolution	1.3MP
Focal Length (mm)	6.1
Relative Aperture (F/#)	F/1.6
Image Circle (mm)	6.0
Field of View	59° at 6.0mm image circle
Total Track Length (mm)	14.5mm
Distortion	-10% F-tan(θ)
Chief Ray Angle	19°
IR cut-off filter	700nm IR cutoff filter optional on DSL947B. 650nm IR cutoff filter on DSL947S.

Applications

- Automotive Forward Machine Vision (sensing)
- Automotive Mirror Replacement (CMS/eMirror)
- Object Recognition

DSL947B-700-F1.6 and DSL947B-NIR-F1.6 Mechanical Dimensions [mm]:

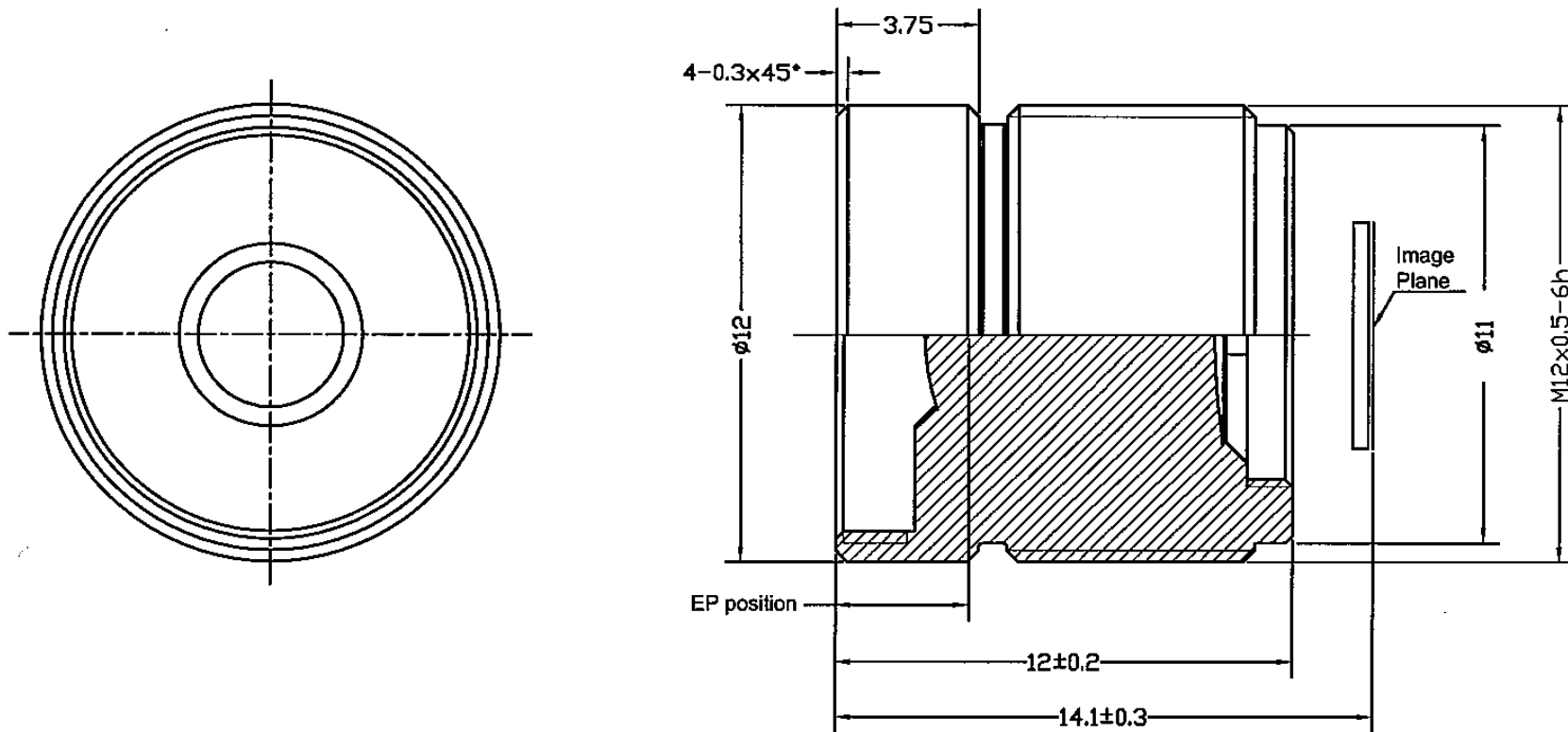
Note: DSL947B is intended for use with Sunex CMT821, CMT107 and CMT804 mounts



Excellence in Digital Imaging Optics

DSL947S-650-F1.6 Mechanical Dimensions [mm]:

Note: DSL947S is intended for use with Sunex CMT821, CMT107 and CMT804 mounts



SUBJECT TO CHANGE WITHOUT NOTICE

Sunex, Inc.
Telephone: +1 760 597 2966
www.sunex.com