

High Brightness Lens for 1/3" Format VGA CMOS Imager

Description

The DSL103 lens is a multi-element hybrid lens optimized for VGA CMOS imagers with a 1/3" format. It is especially suited for building high brightness PC cameras for in-door applications.

Key Features

- Large lens aperture F/1.7: excellent for indoor low-light applications
- Hybrid lens structure: glass + plastic aspheric
- Integrated IR glass cut-off filter option
- Low-cost

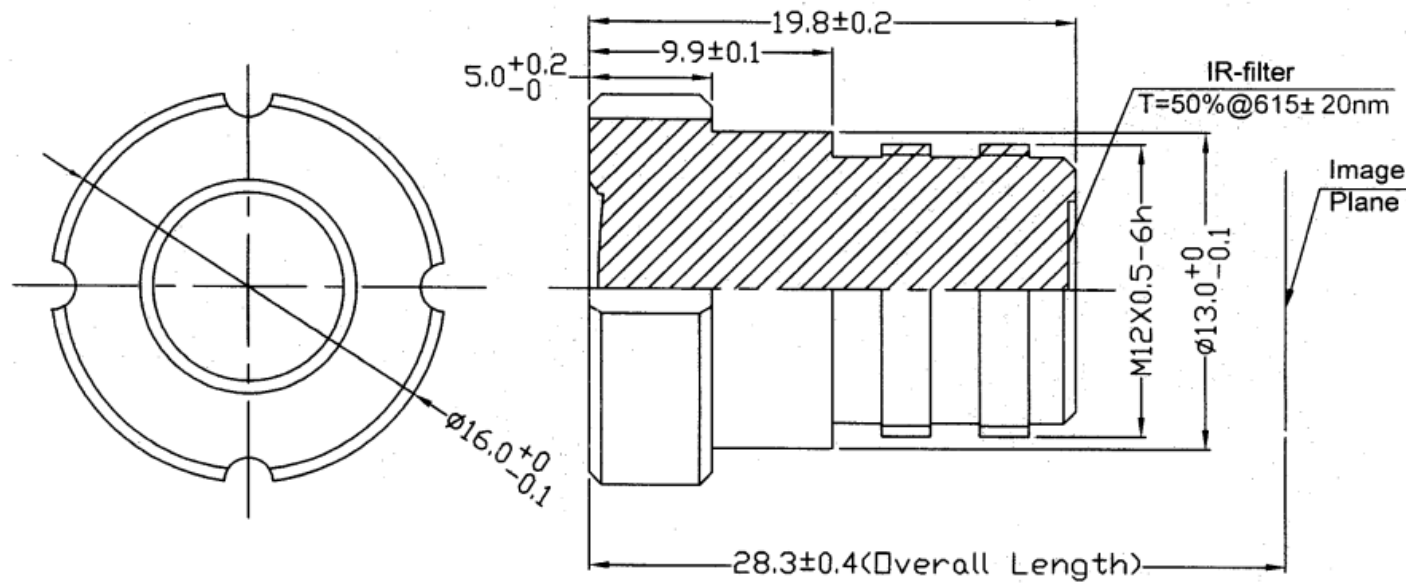
Applications

- PC Cameras
- Security cameras requiring low-light operation

Optical specifications

Sunex P/N: DSL103	
Description	PC Webcam lens
Imager Format	1/3"
Imager Resolution	640x480
Focal length [mm]	6.1
F/#	1.7
Max. Image Circle [mm]	6
Diagonal Field of View [degrees]	56
Distortion	-9.0%
Corner chief ray angle [degrees]	8.12
Relative Illumination	60%
Total optical path length [mm]	27.20
Filter Option	Optional IR-cut glass
Recommended Lens Holder	CMT103

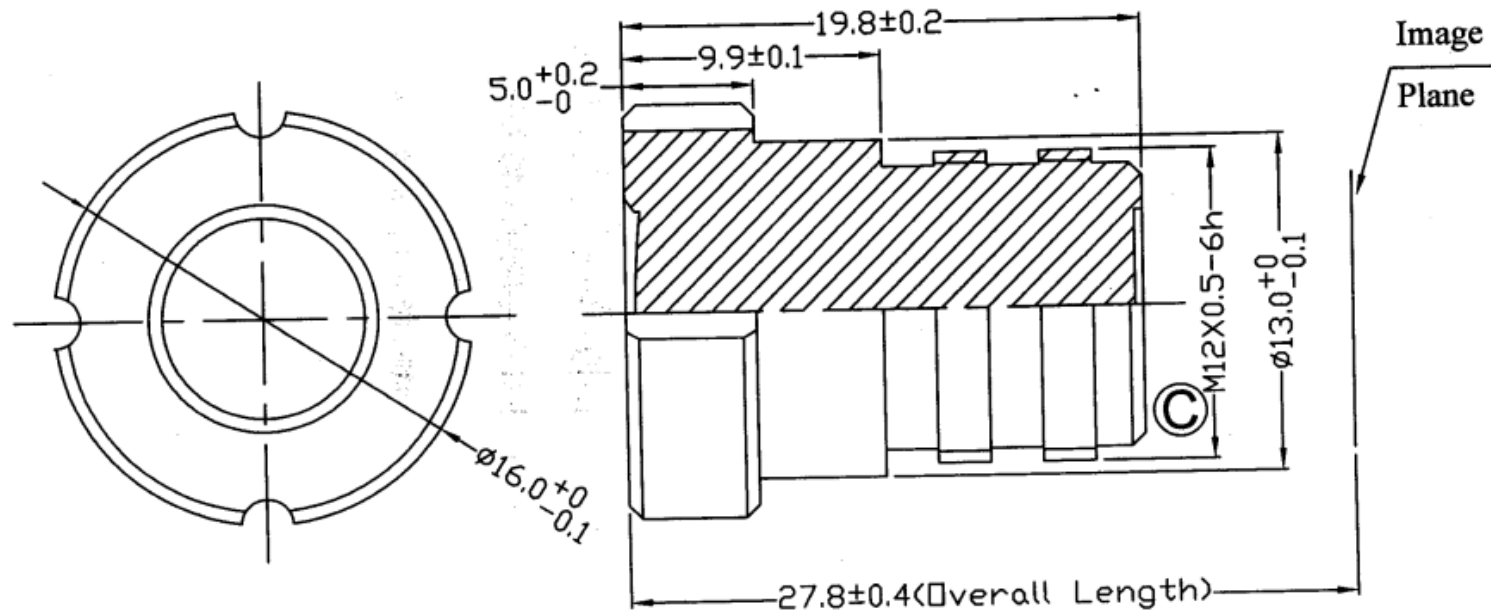
Mechanical Dimension DSL103C:



SUBJECT TO CHANGE WITHOUT NOTICE

Sunex Inc.
Telephone: +001 760.602.0988
Order samples online at www.optics-online.com

Mechanical Dimension DSL103C-NIR:



SUBJECT TO CHANGE WITHOUT NOTICE

Sunex Inc.
Telephone: +001 760.602.0988
Order samples online at www.optics-online.com