

Compact Glass Lens for Security & Automotive

Description

The DSL201 lens is a multi-element glass lens optimized for VGA imagers. This lens can be used on 1/2.5", 1/3", 1/3.2", and 1/4" format imagers.

Key Features

- All glass elements provide environmental stability
- High quality image
- DSL201A-NIR is suitable for monochrome imagers
- DSL201A is for color imagers

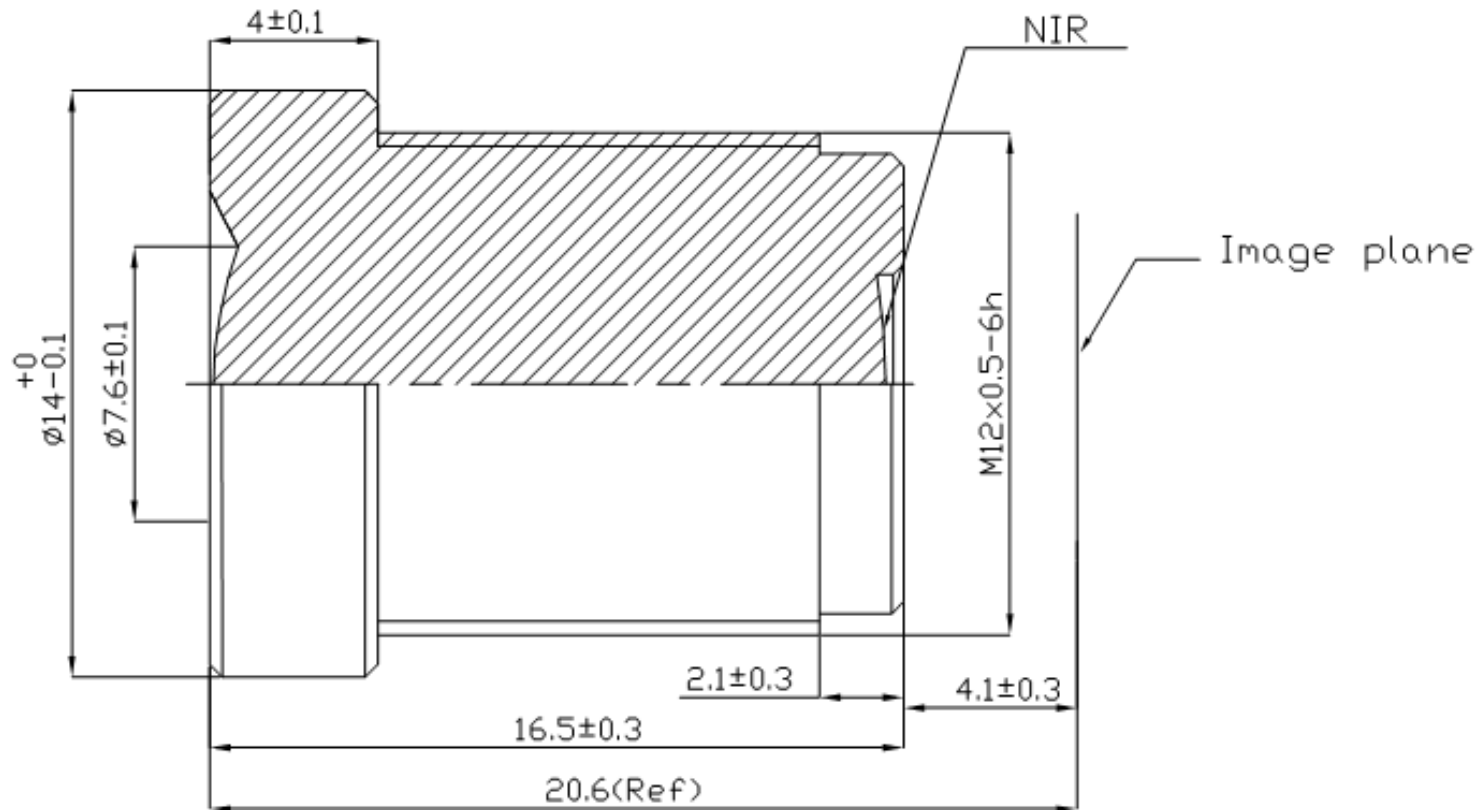
Applications

- Security surveillance cameras
- Industrial and automotive applications

Optical specifications

Sunex P/N: DSL201	
Description	Standard PC CAM lens
Imager Format	1/3"
Focal length [mm]	3.7
F/#	2.3
Design Image Circle [mm]	6
Horizontal Field of View [degrees]	86 on 1/2.5"
	78 on 1/3"
	73 on 1/3.2"
	57 on 1/4"
Imager Resolution	640x480
Distortion	-28%
Relative Illumination	80%
Back focal length [mm]	4.1
Mechanical	see drawings below
IR Cut-off Filter	available on DSL201A

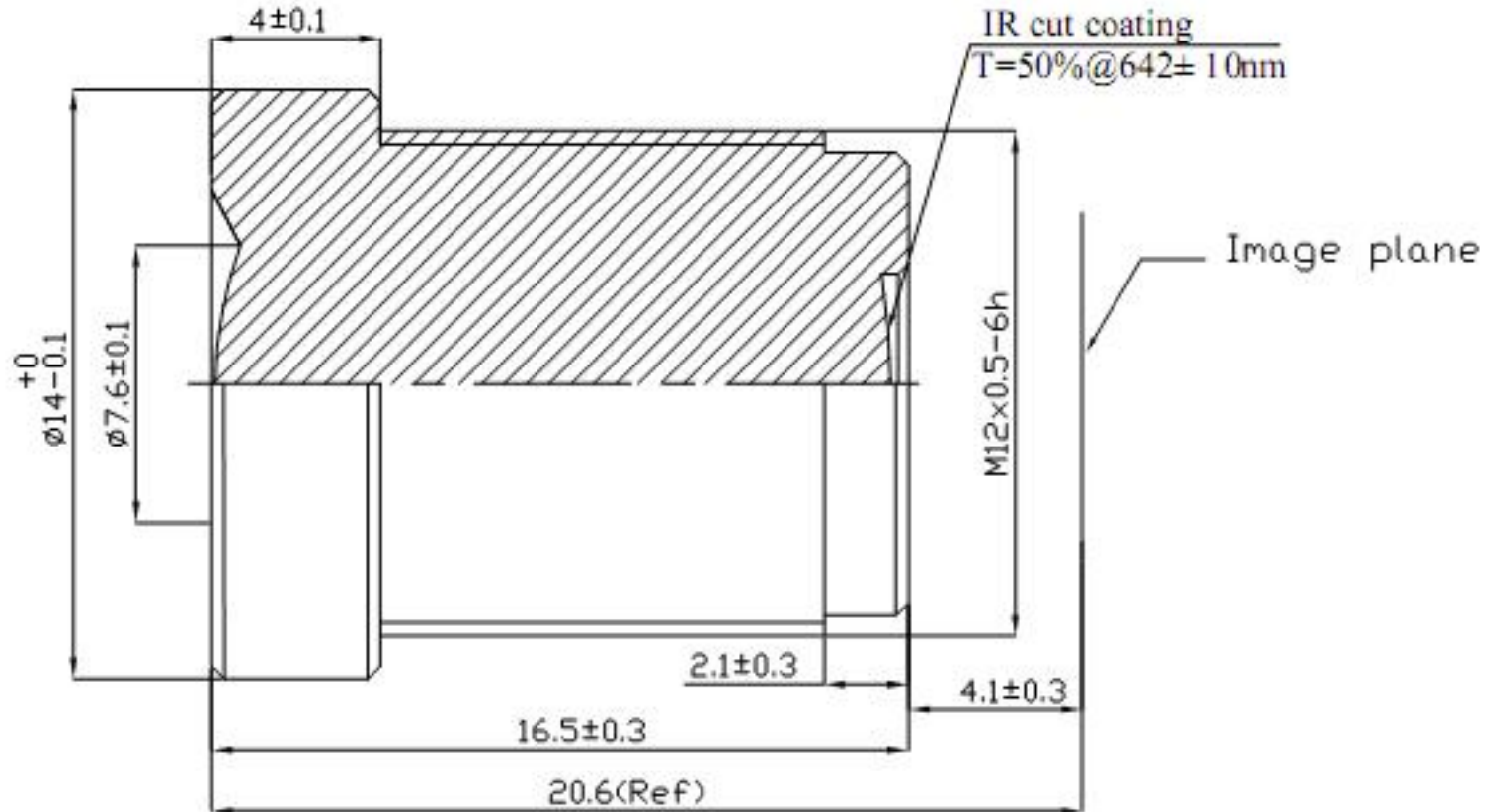
Mechanical Dimension (DSL201A-NIR):



SUBJECT TO CHANGE WITHOUT NOTICE

Sunex Inc.
Telephone: +001 760.602.0988
Order samples online at www.optics-online.com

Mechanical Dimension (DSL201A):



SUBJECT TO CHANGE WITHOUT NOTICE

Sunex Inc.
Telephone: +001 760.602.0988
Order samples online at www.optics-online.com