

## High Resolution Lens for Mobile Imaging

### Description

DSL 872 is a low-profile lens optimized for up to 3 Mega pixel CCD/CMOS camera phones with 1/3.2" imager format (5.63mm imager diagonal).

### Key Features

- Total track length: 6.8mm with 0.55mm thick cover glass.
- Small size: down to M7x0.35 thread
- Chief ray angle: <19 deg
- Hybrid lens structure (2P2G) for environmental stability and optical performance.
- High image quality with minimal chromatic aberration.

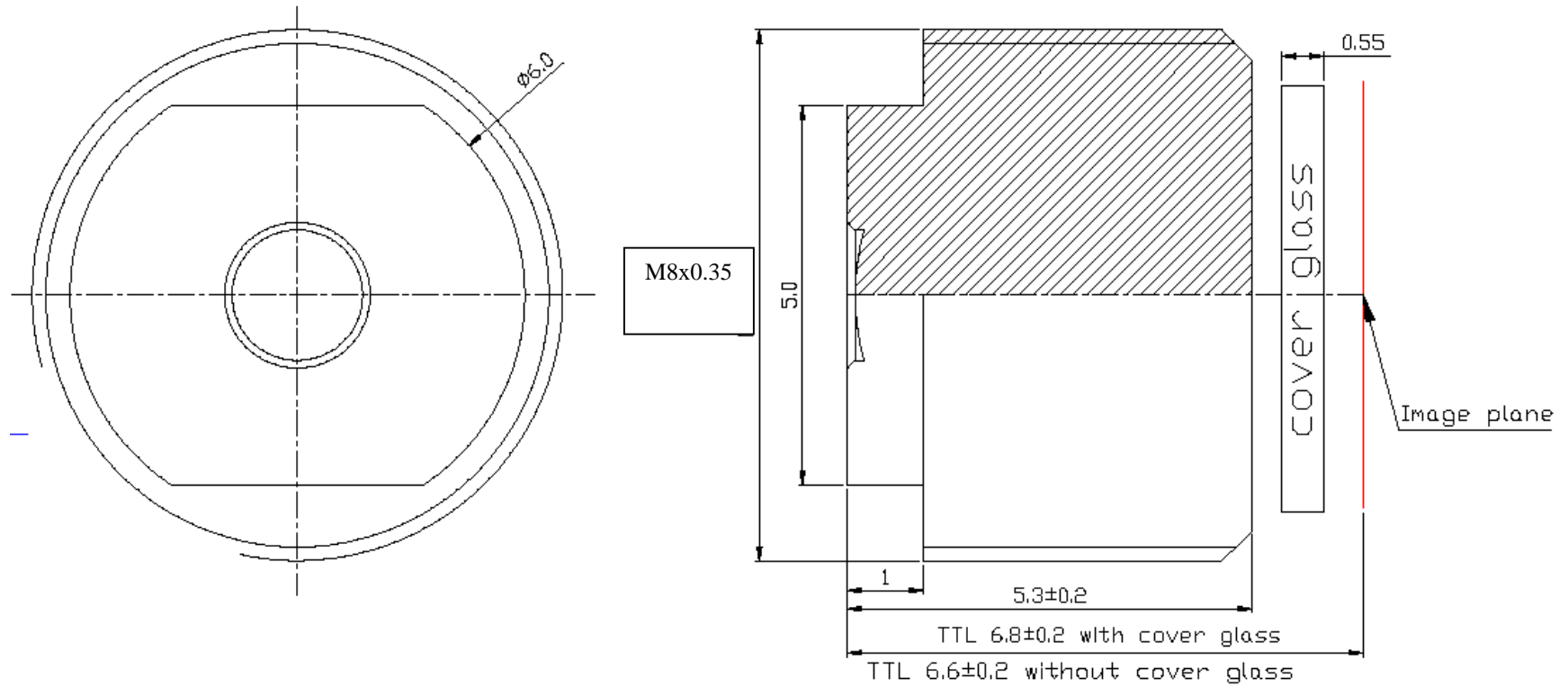
### Applications

- Embedded cameras for cell phones.
- Compact digital cameras
- Compact camera modules

### Optical Specifications

PN	DSL 872
Description	Low profile lens
Focal length (mm)	4.8
F/#	2.8
Diagonal Field of View (deg)	62 deg
Total track length	6.8mm with 0.55mm cover glass between imager and lens
Flange back focal distance	1.5mm
Design polychromatic MTF:	On-axis: 45% at 160lp/mm 70% field: 44% for T and 26% for S at 160lp/mm 100%: 40% for S and 15% for T at 160lp/mm
Absolute geometric distortion	<1%
Corner chief ray angle (deg)	19 deg
Relative Illumination	57%
Lateral color (from 460nm to 630nm)	<2.5um
Filter Option	Optional Can be included as a separate filter in the lens barrel

Mechanical dimension (DSL872A):



Barrel Material: Anodized AL(LY12)