

Low-Profile Lens For CMOS/CCD Imager**Description**

DSL951 lens is a multi-element hybrid lens optimized for high resolution CCD/CMOS imagers with up to 3MP resolution with image circle up to 6.9mm.

Key Features

- Overall length 7.0mm from lenses front physical surface to the image plane
- Hybrid elements: compatible with outdoor environment
- F/2.8: optimized for focus operation
- High image quality

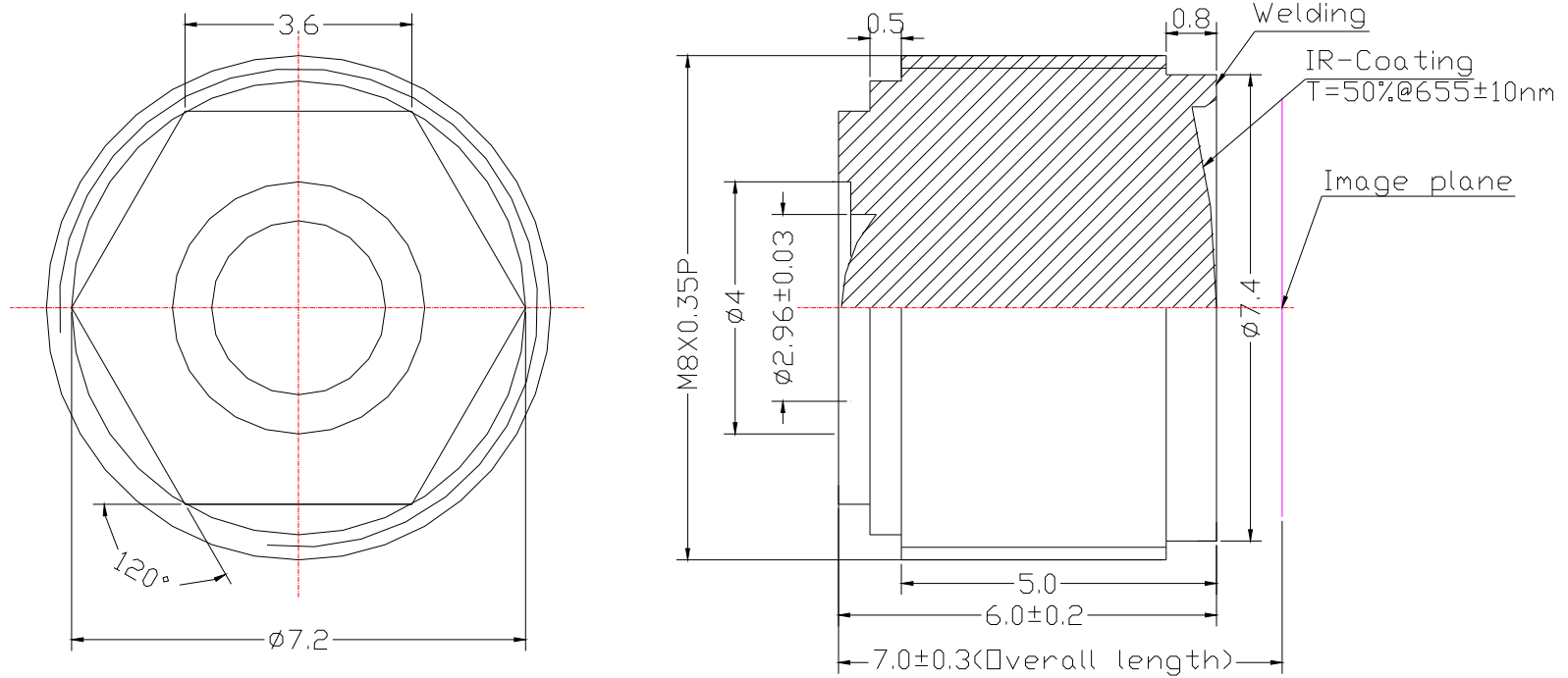
Applications

- Compact digital still cameras.
- Mobile phone cameras

Optical specifications

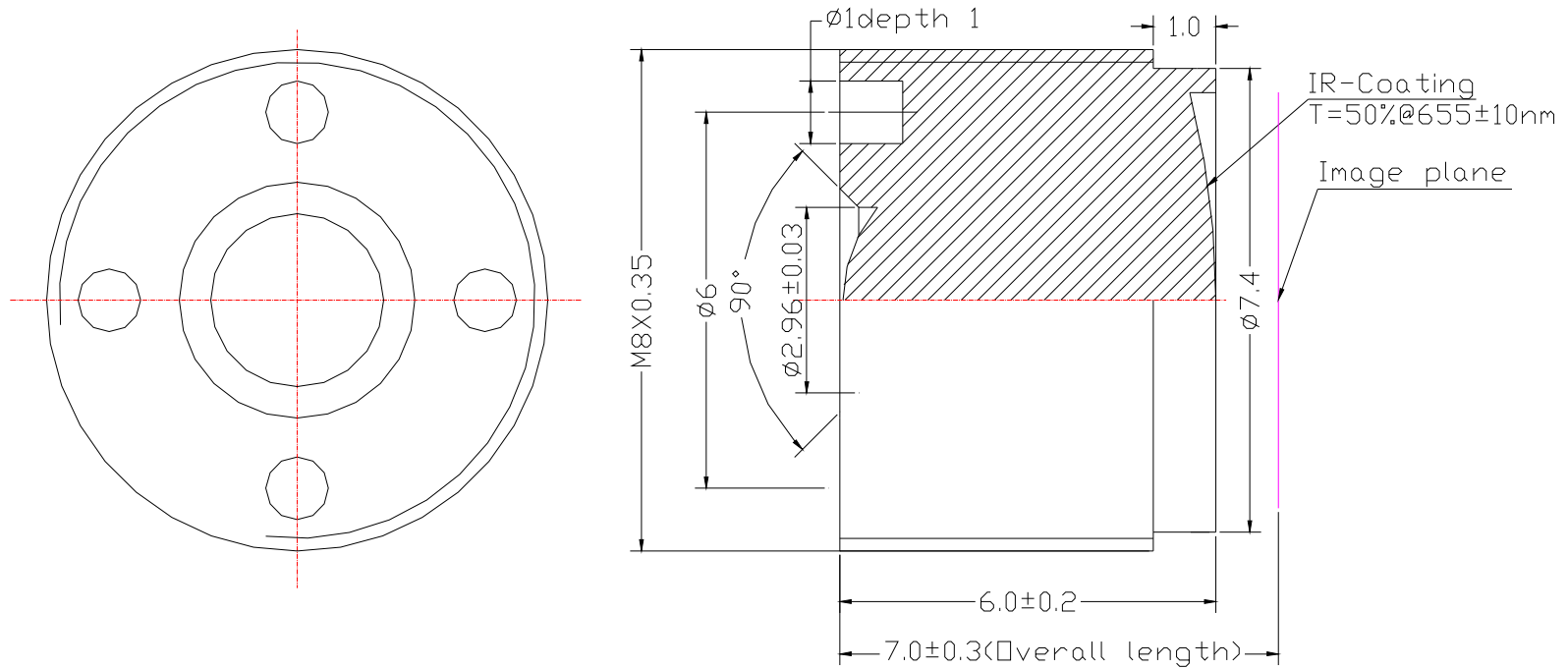
PN	DSL951
Description	Low-profile lens
Imager Format	1/2.7"
Focal length (mm)	5.7
F/#	2.8
Nominal Image Circle(mm)	6.9
Diagonal Field of View (deg)	60
Modulation Transfer Function (MTF)	See MTF data for details
Resolution	See MTF data for details
TV Distortion	1%
Corner chief ray angle (deg)	18.5
Relative Illumination	57%
Mechanical	See below
Filter Option	IR-cut coating included
Lens mount option	Optional

Mechanical Dimension (DSL951C version):



Note:
Barrel material: Plastic
Unit: mm

Mechanical Dimension (DSL951D version):



Note:
Barrel material: Metal
Unit: mm