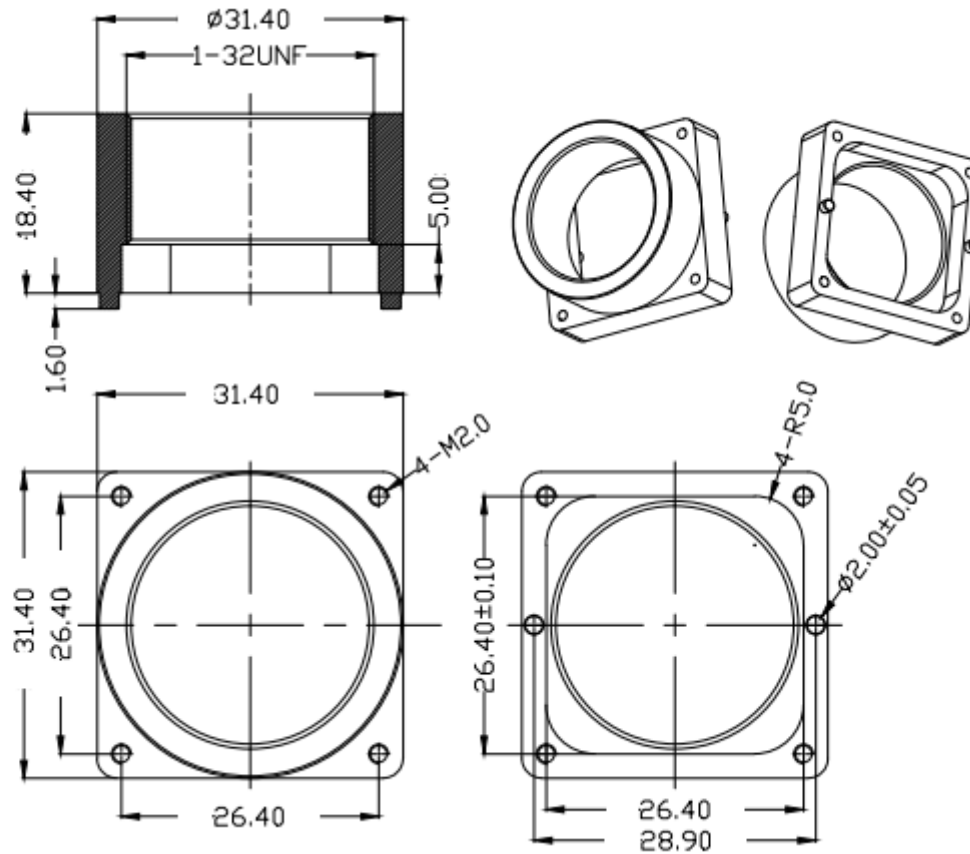


C-mount



Note:

- 1. Material surface blackanodized;
- 2. No defects permitted on surface.