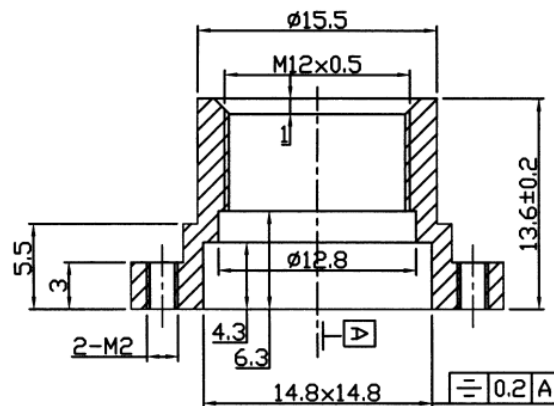
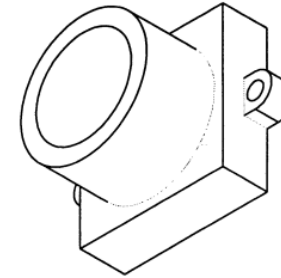
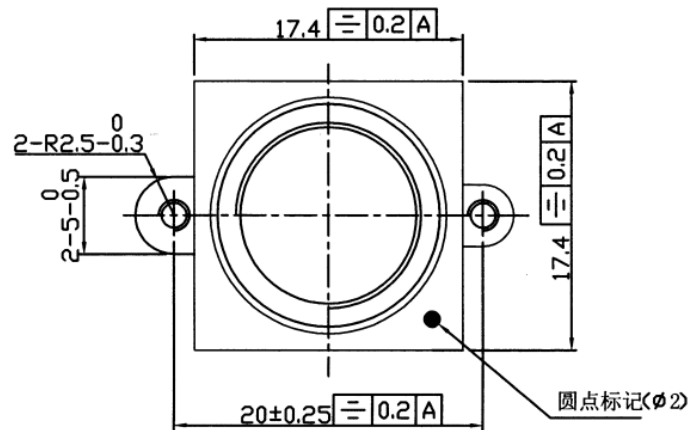


CMT822-HC Mechanical Dimensions



Notes:

- 1) Material is metal alloy
- 2) Black electrophoresis coating
- 3) Meets RoHS Requirements
- 4) M12x0.5mm thread, 6H tolerance