

High Resolution Miniature SuperFisheye™ Lens



Description

The DSL215 lens is a multi-megapixel, miniature SuperFisheye™ lens designed for 1/4" to 1/2" image formats. The DSL215 achieves a 185 degree circular fisheye field of view on 1/2" format, and 185 degree diagonal field of view on 1/4" format. The low F/# provides optimal low-light performance necessary in many security applications.

Key Features

- Low F/# for optimal low-light performance
- All glass elements provide environmental stability
- Cost effective construction

Optical Specifications

Sunex PN DSL215	
Description	Miniature SuperFisheye™
Imager Format	1/4"-1/2" (see next page)
Nominal Imager Resolution	3MP-5MP
Focal Length	1.55mm
Relative Aperture (F/#)	2.0/2.8
Image Circle	4.7mm
Field of View	138° at 3.6mm image circle 185° at 4.7mm image circle
Total Track Length	20.7mm
Distortion	-6% from F- θ
Chief Ray Angle	13° at 4.7mm image circle, linear
IR cut-off filter	Optional 690nm IR cutoff

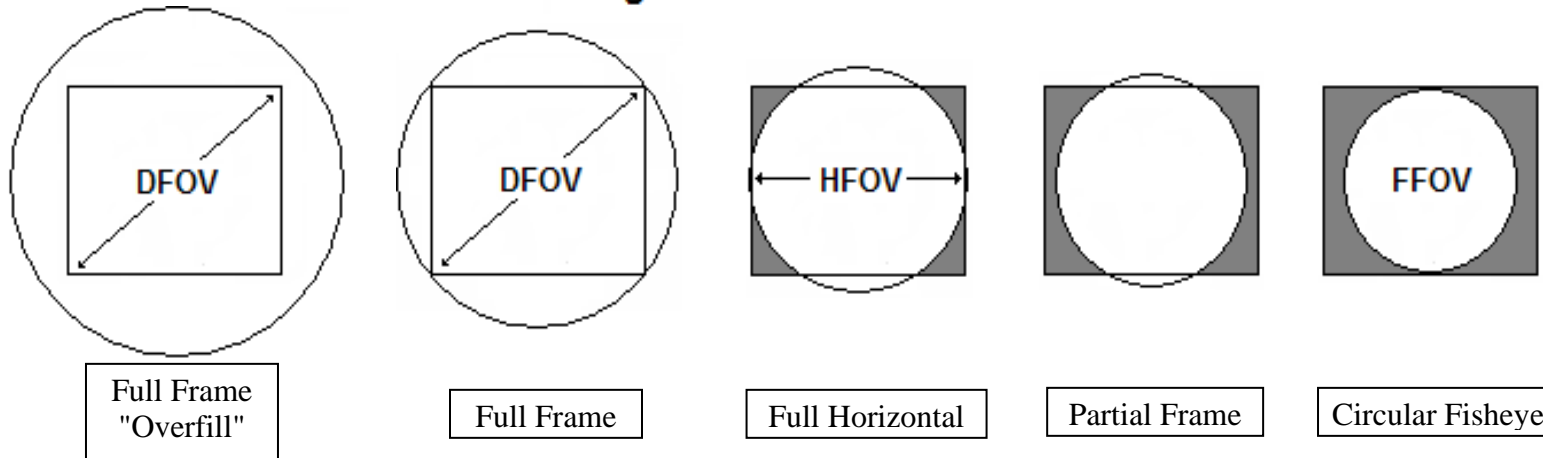
Applications

- Security/Surveillance Dome Cameras
- Automotive surround view

Excellence in Digital Imaging Optics

Image circle format using a 4:3 aspect ratio imager:

Image Circle vs. Sensor Format



DSL215 on: 1/4" and smaller

~1/4"

~1/3"

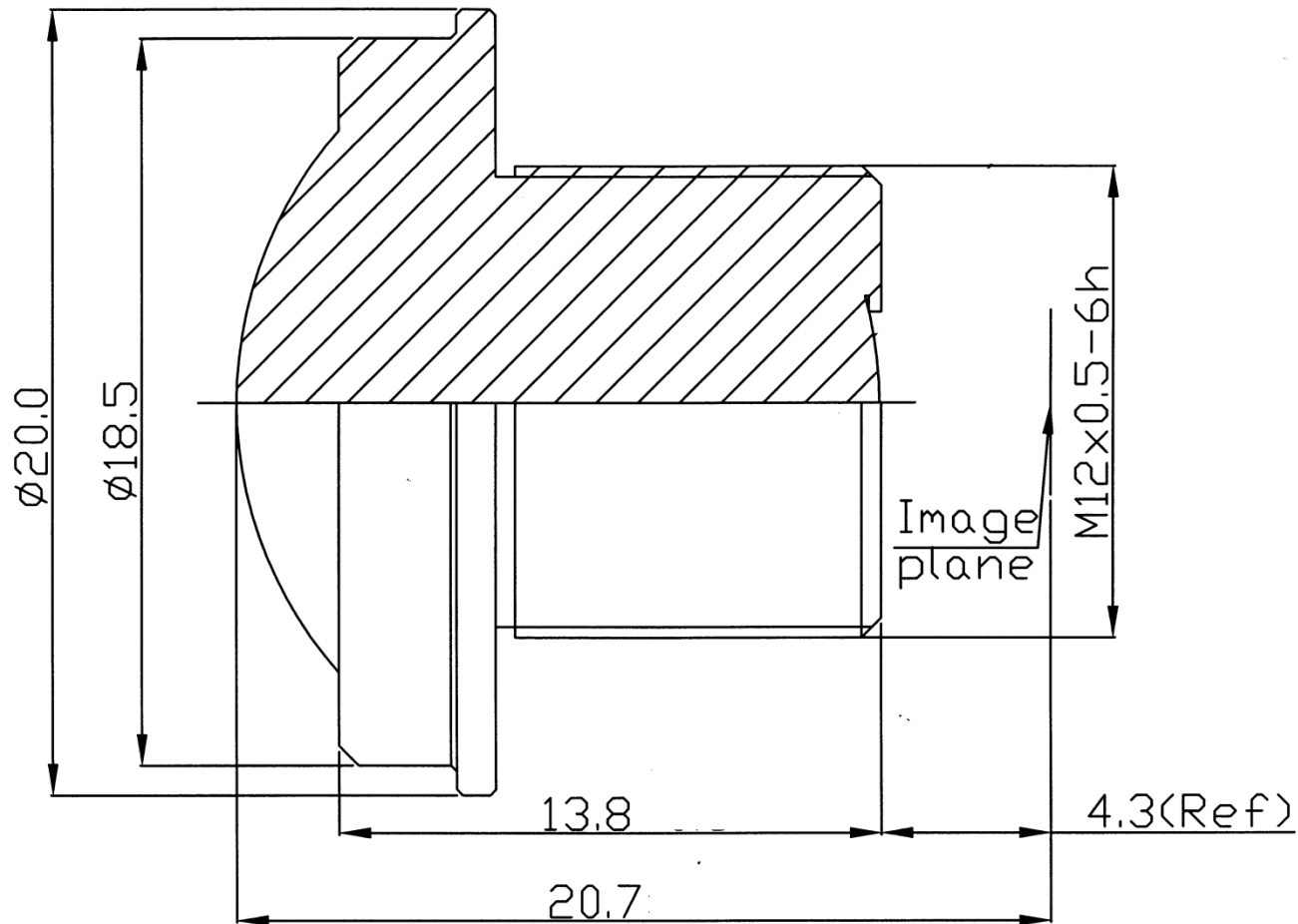
~1/2.5"

1/2.3" or larger

Excellence in Digital Imaging Optics

DSL215B-690-F2.0 Mechanical Dimensions [mm]:

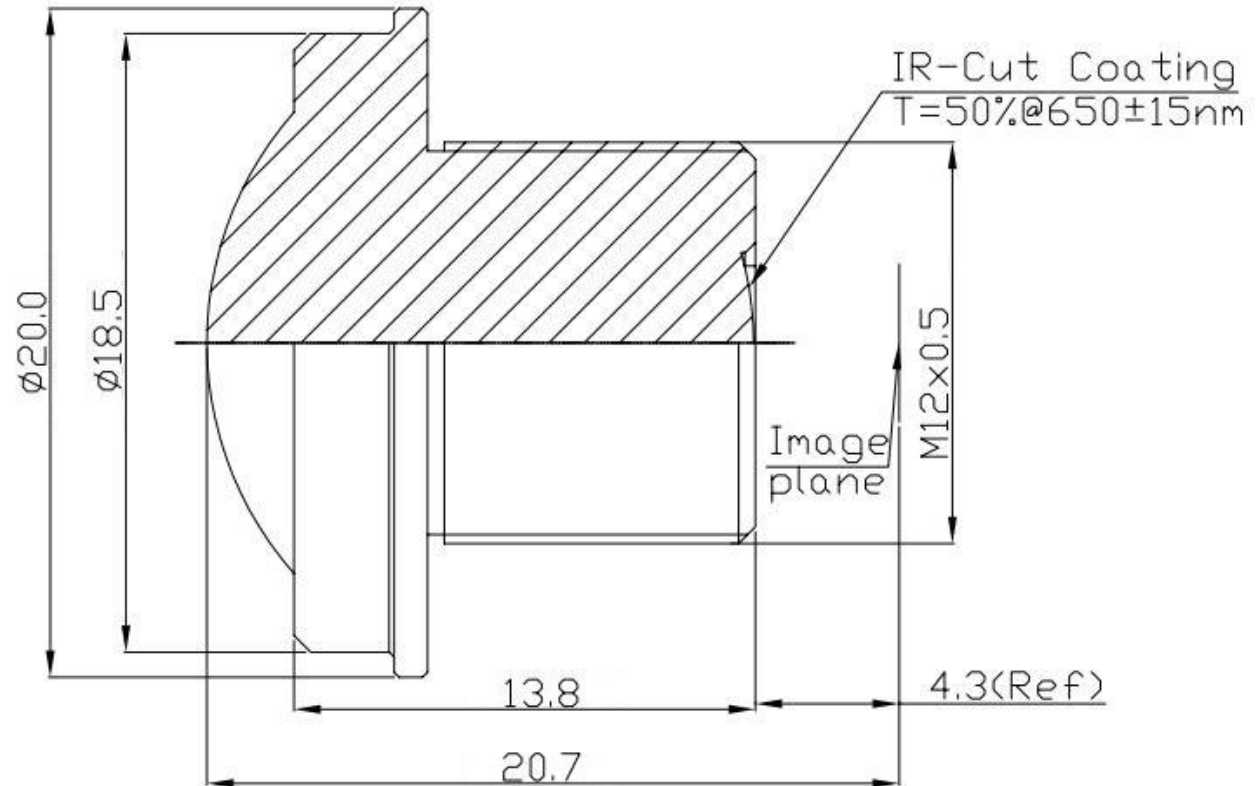
Note: DSL215B is intended for use with Sunex CMT821 or CMT822 mounts



SUBJECT TO CHANGE WITHOUT NOTICE

Sunex, Inc.
Telephone: +1 760 597 2966
www.sunex.com

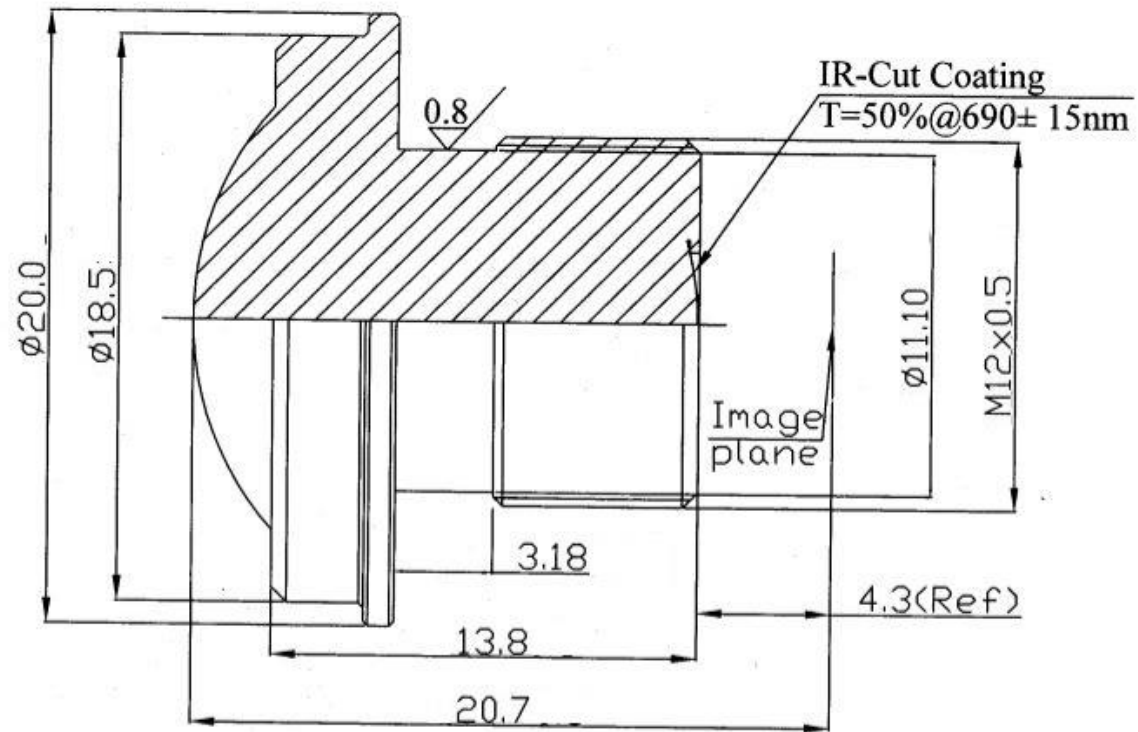
DSL215C-650-F2.0 Mechanical Dimensions [mm]:



Note:

- 1.EFL: 1.56mm
- 2.F/#: 2.0
- 3.Material: AL6061
- 4.Front face seal
- 5.UV durable anodize

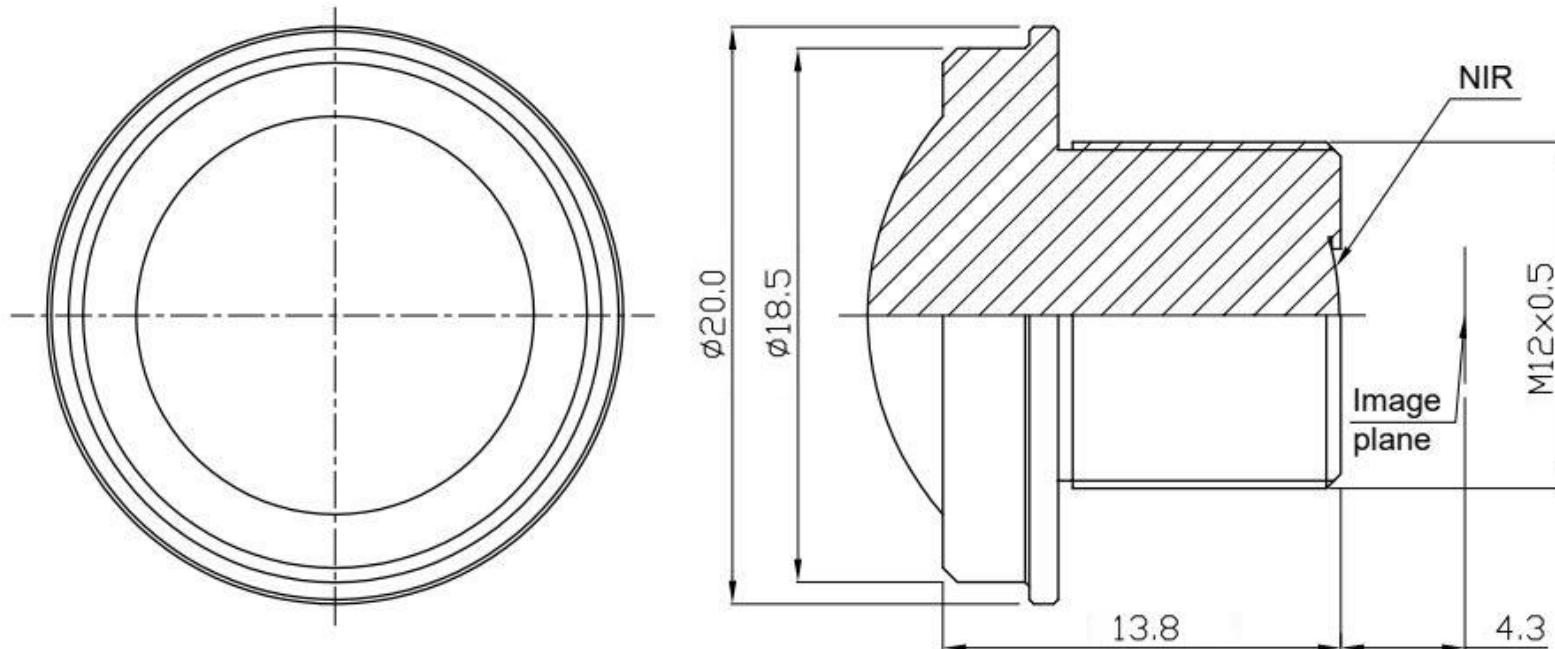
DSL215D-690-F2.8 Mechanical Dimensions [mm]:



NOTE:

- 1. EFL: 1.56mm
- 2. F/#: 2.8
- 3. Material: AL6061
- 4. Front face sealed

DSL215E-NIR-F2.0 Mechanical Dimensions [mm]:



Note:

- 1. Effective focal length: 1.56
- 2. F/#: 2.0
- 3. Barrel Material: Black anodized AL;