

Ultra-Compact, High-Resolution Fisheye



Description

The DSL266 combines 4K performance and incredibly small size in an environmentally stable, all-glass design. The DSL266 also features a fast, F/1.8 aperture and HDR performance.

Key Features

- Very compact – 15mm TTL
- 4K (1.4 μ m) Resolution
- 200° FOV
- All-glass and metal construction

Optical Specifications

Sunex PN DSL266	
Description	Ultra-Compact 4K Fisheye
Imager Format	Up to 1/3"
Nominal Imager Resolution	6-8mp
Focal Length	1.27
Relative Aperture (F/#)	1.8
Image Circle	3.35mm
Field of View	200° at 3.35mm image circle
Total Track Length	15mm
Distortion (F-Theta)	-24.4% at 3.35mm
Chief Ray Angle	15.9° max
IR cut-off filter	T=50%@650nm
UV cut-off filter	T=50%@400nm

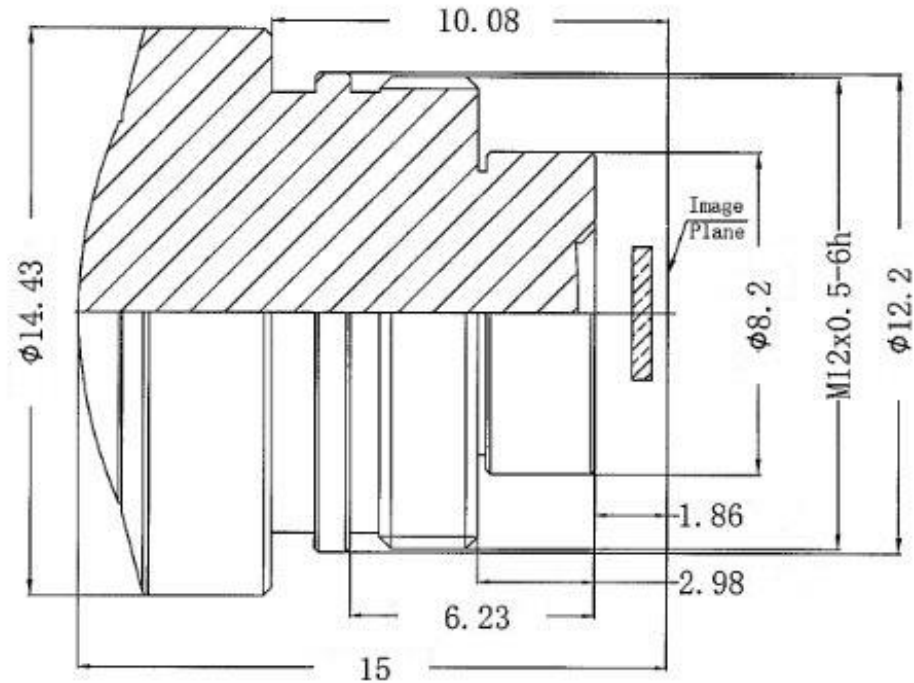
Applications

- Security/Surveillance
- Automotive OMS
- Computer Vision/Robotics

Excellence in Digital Imaging Optics

DSL266A-650-F1.8 and DSL266A-NIR-F1.8 Mechanical Dimensions [mm]:

Note: DSL266A-650-F1.8 and DSL266A-NIR-F1.8 are intended for use with Sunex CMT821 or CMT168-11xx



- Note:
- 1.F#:1.8
 - 2.EFL:1.27
 - 3.IR cut point: T=50%@650±15nm;
UV cut point: T=50%@400±15nm;
 - 4.Barrel and cap material:anodized AL;