

Miniature HDR lens



Description

The DSL313 is a miniature high-performance lens designed for 1/2.7" imager formats. No-ghost HDR provides for excellent image quality. The all-glass, all-metal construction makes it thermally and environmentally stable and ideally-suited for indoor and outdoor applications in harsh environments.

Key Features

- All glass construction
- Environmental and thermal stability
- HDR-Optimized for low flare and ghost

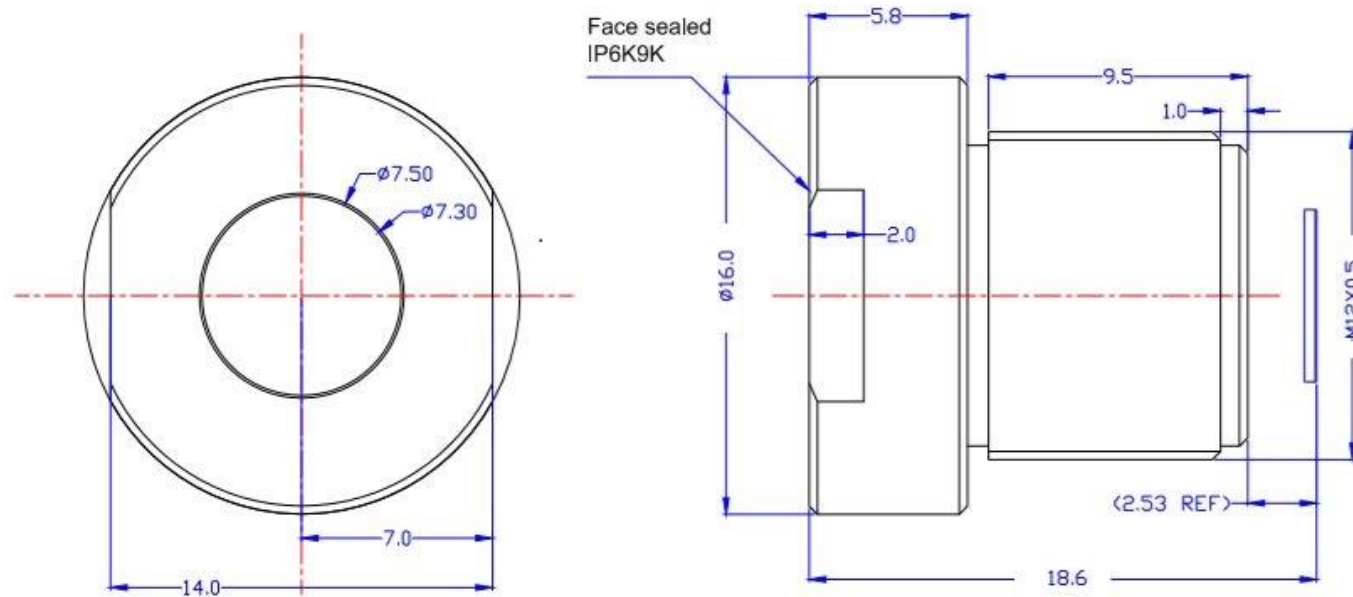
Optical Specifications

Sunex PN DSL313	
Description	HDR, glass
Imager Format	1/2.7"
Nominal Imager Resolution	3MP
Focal Length	4.0mm
Relative Aperture (F/#)	2.0
Image Circle	6.4mm
Field of View	102° @6.4mm image circle
Total Track Length	18.6mm
Distortion	-10.9% f-theta
Chief Ray Angle	13.7° @6.4mm image circle
IR cut-off filter	-650nm

Applications

- Automotive
- Security
- Computer vision
- Industrial

DSL313B-650-F2.0 and DSL313B-NIR-F2.0 Mechanical Dimensions [mm]:



Note:

- 1.F#:2.0;
- 2.EFL:4.0mm;
- 3.Barrel and cap material:Black anodized AL;