

### High Resolution Computer Vision Lens



### Description

The DSL330 is a compact, high resolution, narrow FOV lens with all-glass and metal construction. The high resolution and low distortion enable a variety of computer vision applications in the Automotive, Robotics and Machine Vision markets. The all-glass and metal construction make this lens very environmentally stable.

### Key Features

- High resolution
- Environmentally Stable
- Low Distortion
- Compact Design

### Optical Specifications

Sunex PN DSL330	
Description	High Res Computer Vision Lens
Imager Format	1/1.55"
Nominal Imager Resolution	6MP
Focal Length	12.05mm
Relative Aperture (F/#)	2.6
Image Circle	10.4mm
Field of View	49° at 10.4mm image circle
Total Track Length	28mm
Distortion (F-tan( $\theta$ ))	< -5% at 10.4mm image circle
Chief Ray Angle	20.8° max
IR cut-off filter	Optional 680nm IR cut coating

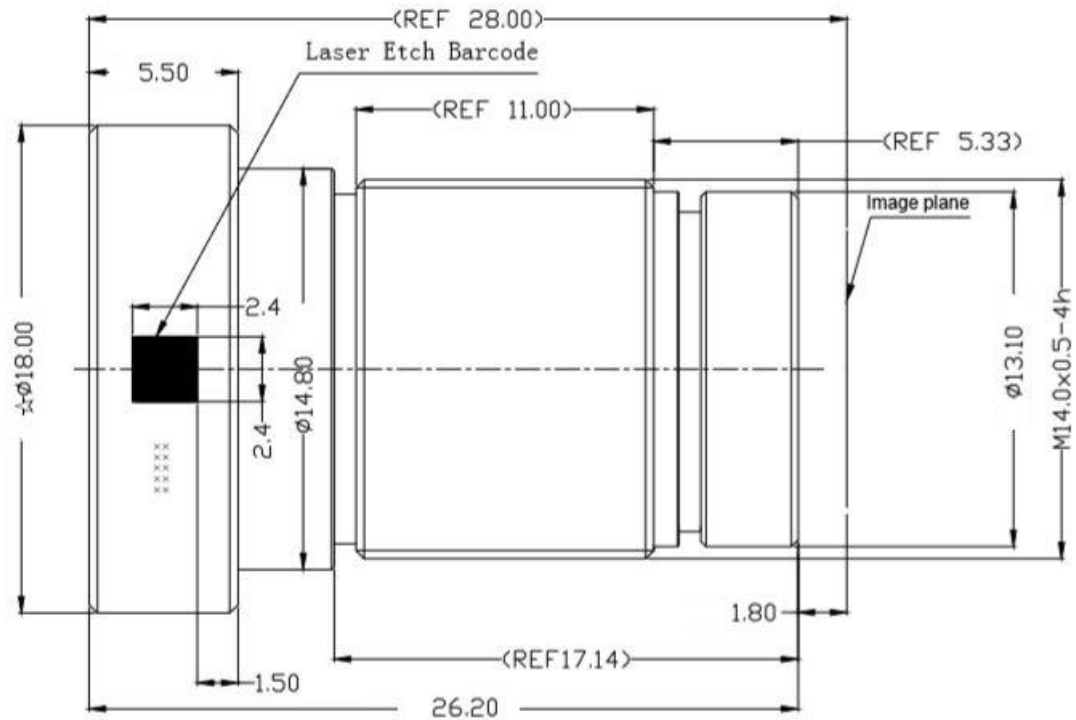
### Applications

- Automotive ADAS and Mobility
- CV and Robotics
- Machine Vision

Excellence in Digital Imaging Optics

### DSL330A-NIR-F2.6 and DSL331A-680-F2.6 Mechanical Dimensions [mm]:

Note: DSL330A is intended for use with a customized mount – please inquire.



#### Notes:

1. EFL=12.05
2. F#=2.6
3. Barrel Material: Anodized AL6061;  
Cap Material: Anodized AL6061