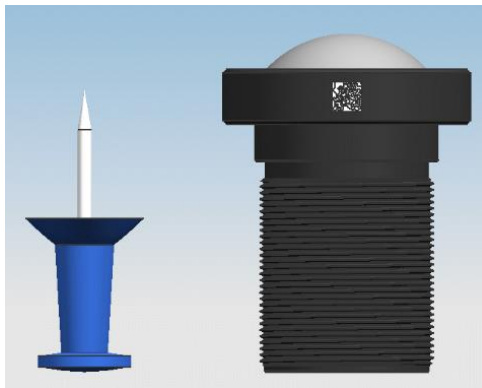


High Resolution, Large-Format Computer Vision Lens



Description

The DSL332 is a fast, high resolution, wide FOV lens with all-glass and metal construction. The high resolution, low F/# and low distortion enable a variety of computer vision applications in the Automotive, Robotics and Machine Vision markets. The all-glass and metal construction make this lens very environmentally stable.

Key Features

- High Resolution, wide angle
- Low, F/2.2 aperture
- Environmentally Stable

Optical Specifications

Sunex PN DSL332	
Description	High Resolution Computer Vision Lens
Imager Format	1/1.55"
Nominal Imager Resolution	6MP
Focal Length	5.39mm
Relative Aperture (F/#)	2.2 nominal (also available in other F/#s such as F/2.6)
Image Circle	10.3mm
Field of View	109° at 10.3mm image circle
Total Track Length	29.02mm
Distortion (F-Theta)	<.8% at 10.3mm image circle
Chief Ray Angle	20.2° max
IR cut-off filter	Optional 680nm IR cut coating

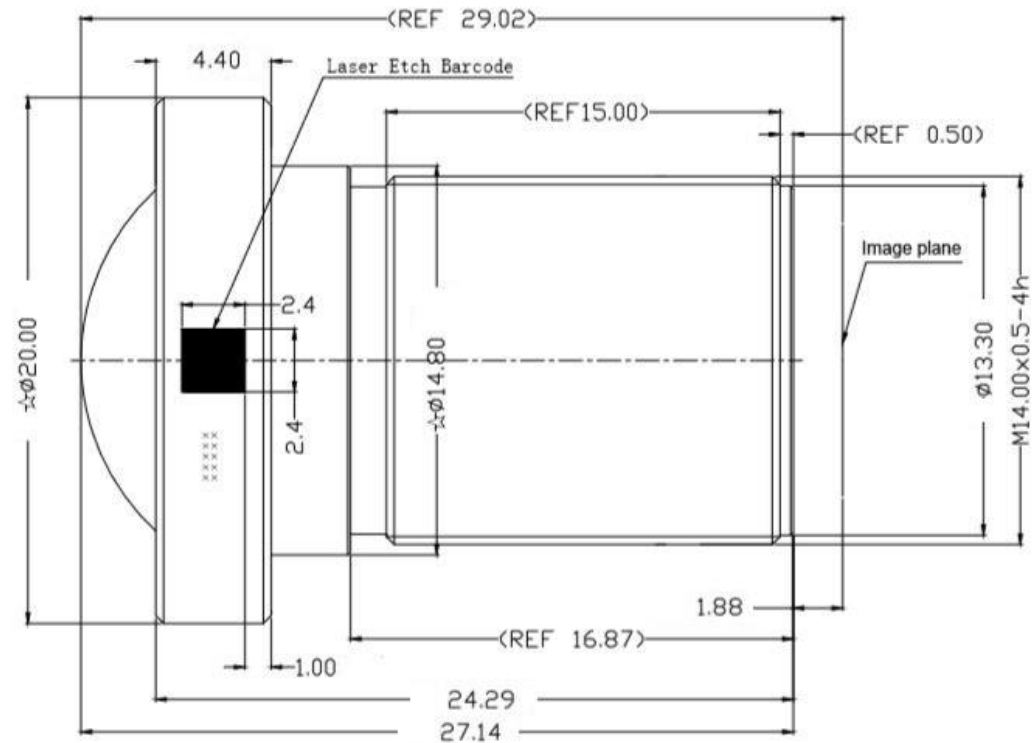
Applications

- Automotive ADAS and Mobility
- CV and Robotics
- Machine Vision

Excellence in Digital Imaging Optics

DSL332A-680-F2.2/F2.6 Mechanical Dimensions [mm]:

DSL332 is intended for custom mounts – please inquire.

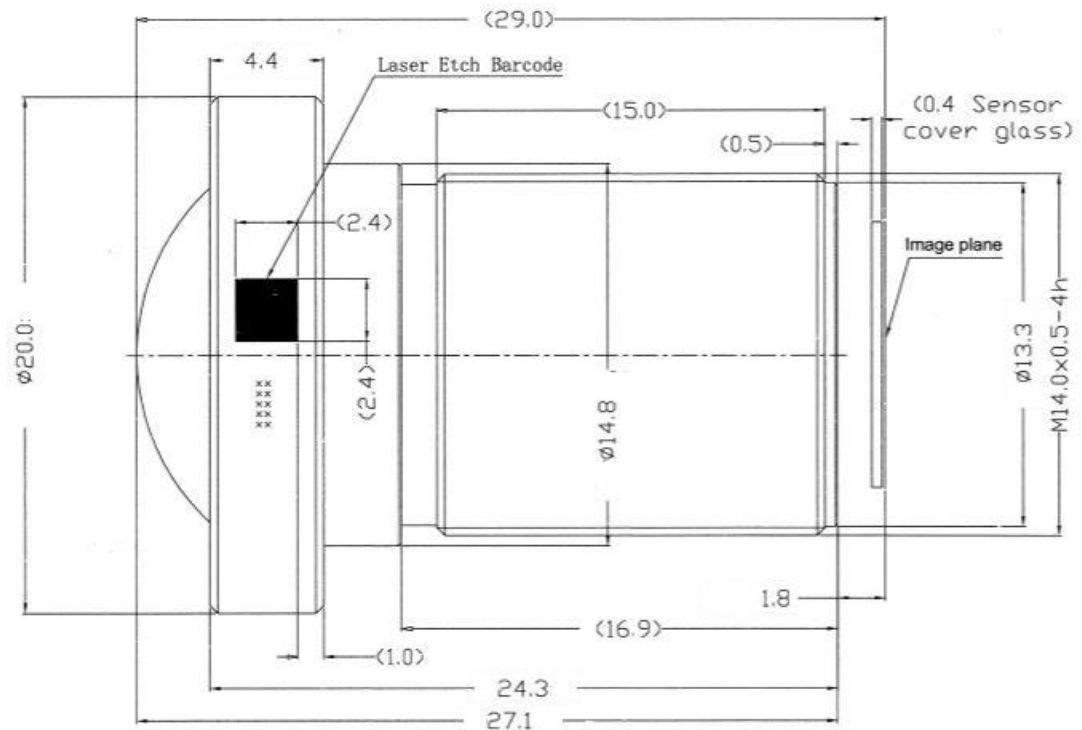


Notes:

1. EFL=5.39
2. F#=2.2*
3. Barrel Material: Anodized AL6061;
Cap Material: Anodized AL6061

*Please take note that mechanical dimensions shown do not change with different F- numbers.

DSL332A-NIR-F2.2/F2.6 Mechanical Dimensions [mm]:



Notes:

1. EFL=5.39
2. F#=2.2*
3. Barrel Material: Anodized AL6061;
Cap Material: Anodized AL6061

**Please take note that mechanical dimensions shown do not change with different F- numbers.*