

High Resolution, Wide-Angle Computer Vision Lens



Description

The DSL333 is a high resolution, wide FOV lens with all-glass and metal construction. The high resolution and wide angle enable a variety of computer vision applications in the Automotive, Robotics, Security and Machine Vision markets. The all-glass and metal construction make this lens very environmentally stable.

Key Features

- High Resolution, wide angle
- F-theta distortion
- Environmentally Stable

Optical Specifications

Sunex PN DSL333	
Description	High Res, wide-angle computer vision lens
Imager Format	1/1.55"
Nominal Imager Resolution	6MP
Focal Length	4.26mm
Relative Aperture (F/#)	2.8
Image Circle	10.3mm
Field of View	135° at 10.3mm image circle
Total Track Length	27.8mm
Distortion (F-Theta)	<3.2% at 10.3mm image circle
Chief Ray Angle	22.3° max
IR cut-off filter	Optional 680nm IR cut coating

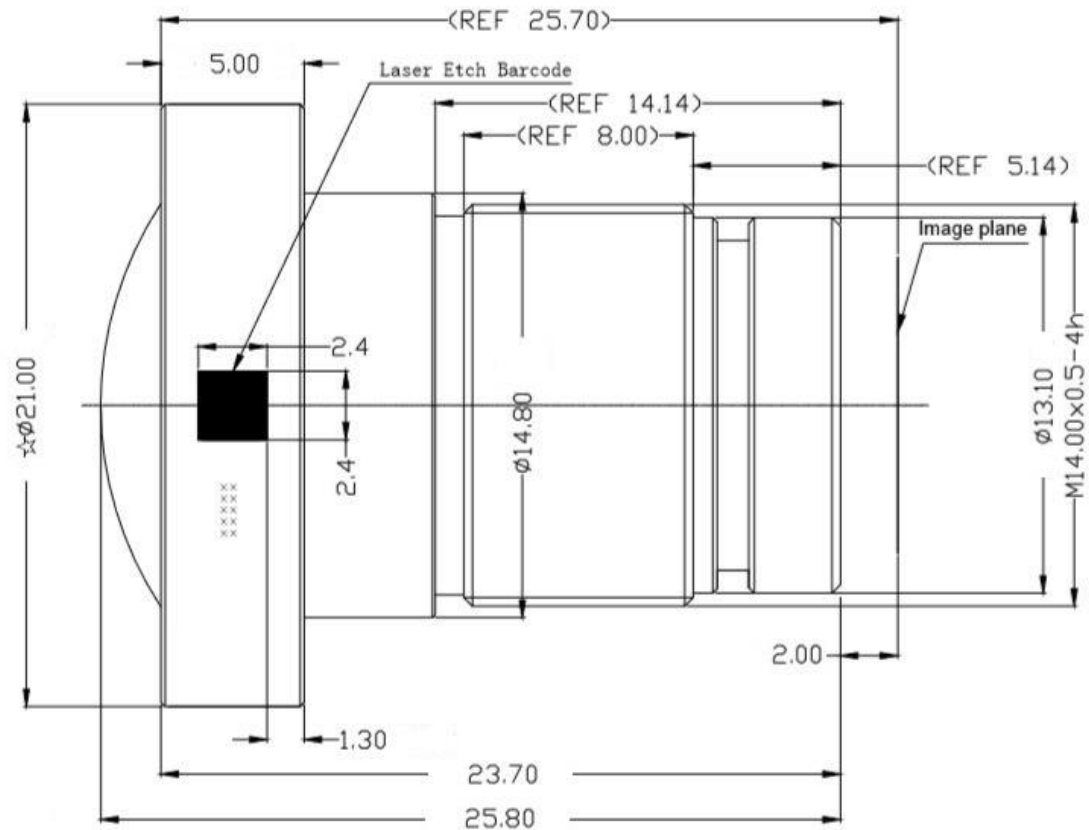
Applications

- Automotive ADAS and Mobility
- CV and Robotics
- Machine Vision
- Security and Access Control

Excellence in Digital Imaging Optics

DSL333A-NIR-F2.8 and DSL333A-680-F2.8 Mechanical Dimensions [mm]:

DSL333 is intended for custom mounts – please inquire.



Notes:

1. EFL=4.26
2. F#=2.8
3. Barrel Material: Anodized AL6061;
Cap Material: Anodized AL6061