

HDR Lens



Description

The DSL335 lens is a miniature-designed lens specifically designed for machine vision, standard sensors up to 1/3" format sizes. At the same time in the visible light and infrared has a good contrast, resolution, ghost, stray light performance, where high resolution and the LowGhost™ HDR feature are required.

Key Features

- All glass
- Sunex LowGhost™ HDR
- Design for inite distance
- Support VIS and NIR

Optical Specifications

Sunex PN DSL335	
Description	HDR Lens
Imager Format	1/3"
Nominal Imager Resolution	Up to 5MP
Focal length	2.26mm
Relative Aperture (F/#)	4.0
Design Image Circle	4.71mm
Field of View	FOV 95° at 4.71mm image circle
Total Track Length	21.4mm
Distortion (F-theta)	24.8% at 4.71mm
Chief Ray Angle	9.06° at 4.71mm
IR cut-off filter	NIR

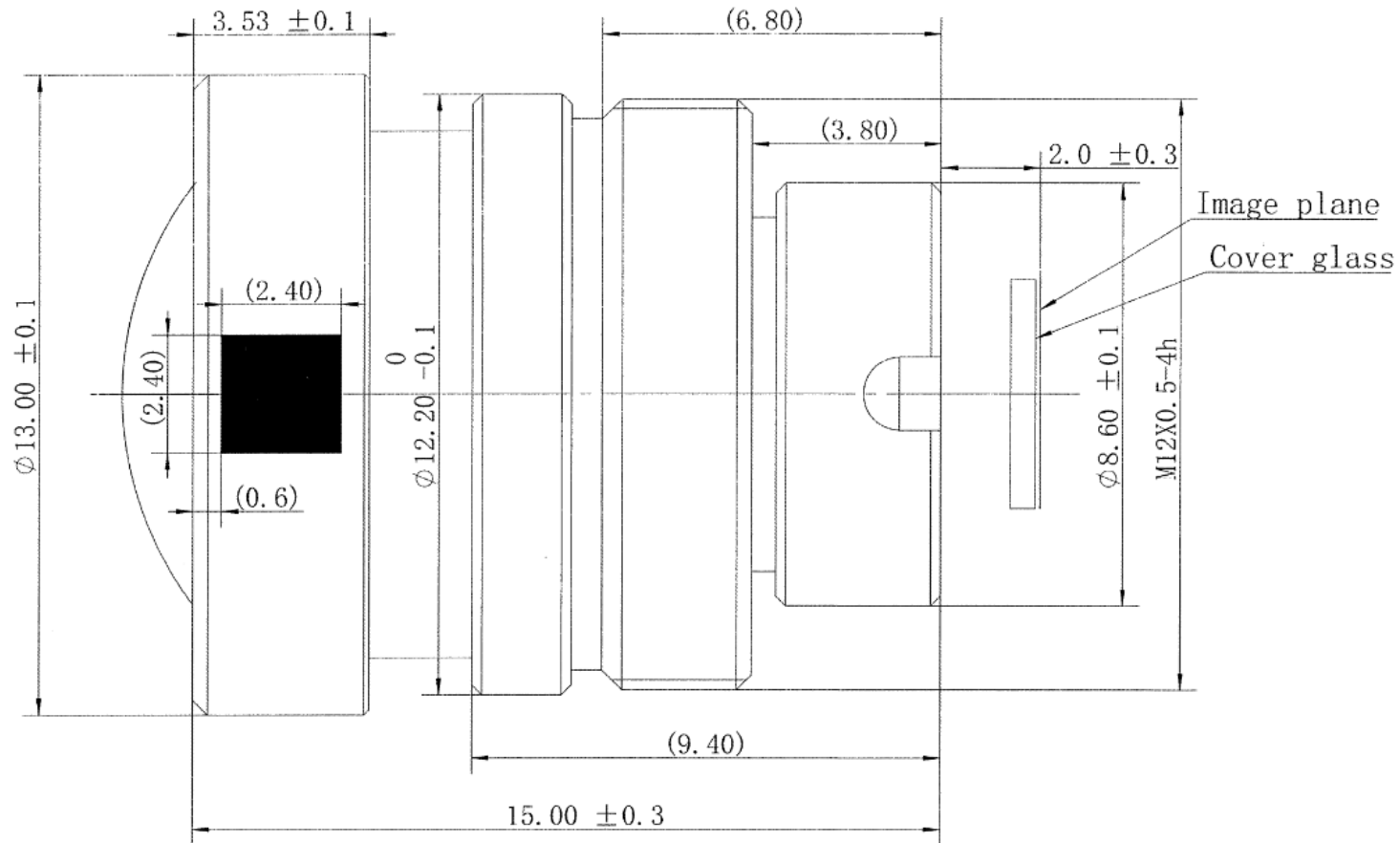
Applications

- Machine vision
- Defect detection
- Industrial camera
- Security

Excellence in Digital Imaging Optics

DSL335A-NIR-F4.0 Mechanical Dimensions [mm]:

Note: DSL335 is intended for use with Sunex CMT168 mount.



SUBJECT TO CHANGE WITHOUT NOTICE

Sunex, Inc.
Telephone: +1 760 597 2966
www.sunex.com