

DSL619 Miniature Tailored Distortion™ Lens



Description

The DSL619 is a Tailored Distortion™ miniature SuperFisheye lens designed for 4K+ imagers up to 1/2" format. It will give a full Horizontal (185°) FOV on a 1/3" imager and full circular image on a 1/2.3" or 1/2" sensor. The ultra-low F/# gives this lens excellent low-light performance.

Key Features

- Tailored Distortion™
- Ultralow F/# (F/1.8)
- Compact
- Thermally stable

Optical Specifications

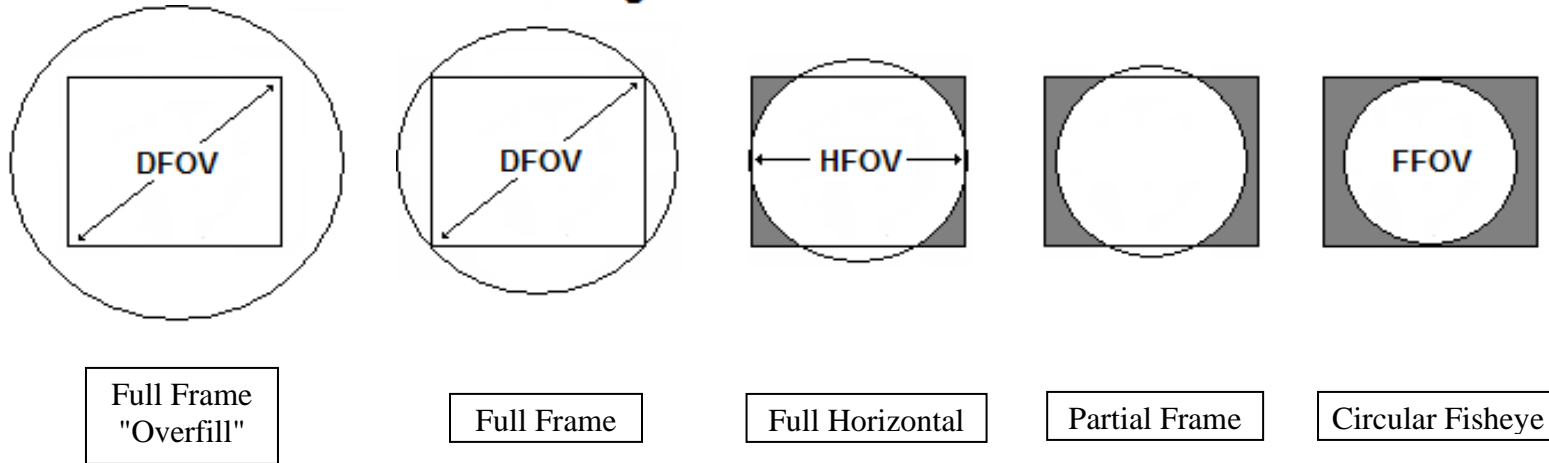
Sunex PN DSL619	
Description	Tailored Distortion™ Fisheye Lens
Imager Format	Up to 1/2"
Nominal Imager Resolution	10-12MP
Focal Length	1.34mm
Relative Aperture (F/#)	F/1.8
Image Circle	4.66mm
Field of View	185° at 4.66mm image circle
Total Track Length	27.7mm
Distortion	+10.3% from F-θ (Tailored Dist)
Chief Ray Angle	9.2° max at 4.66mm image circle
IR cut-off filter	Optional IR cut-off filter

Applications

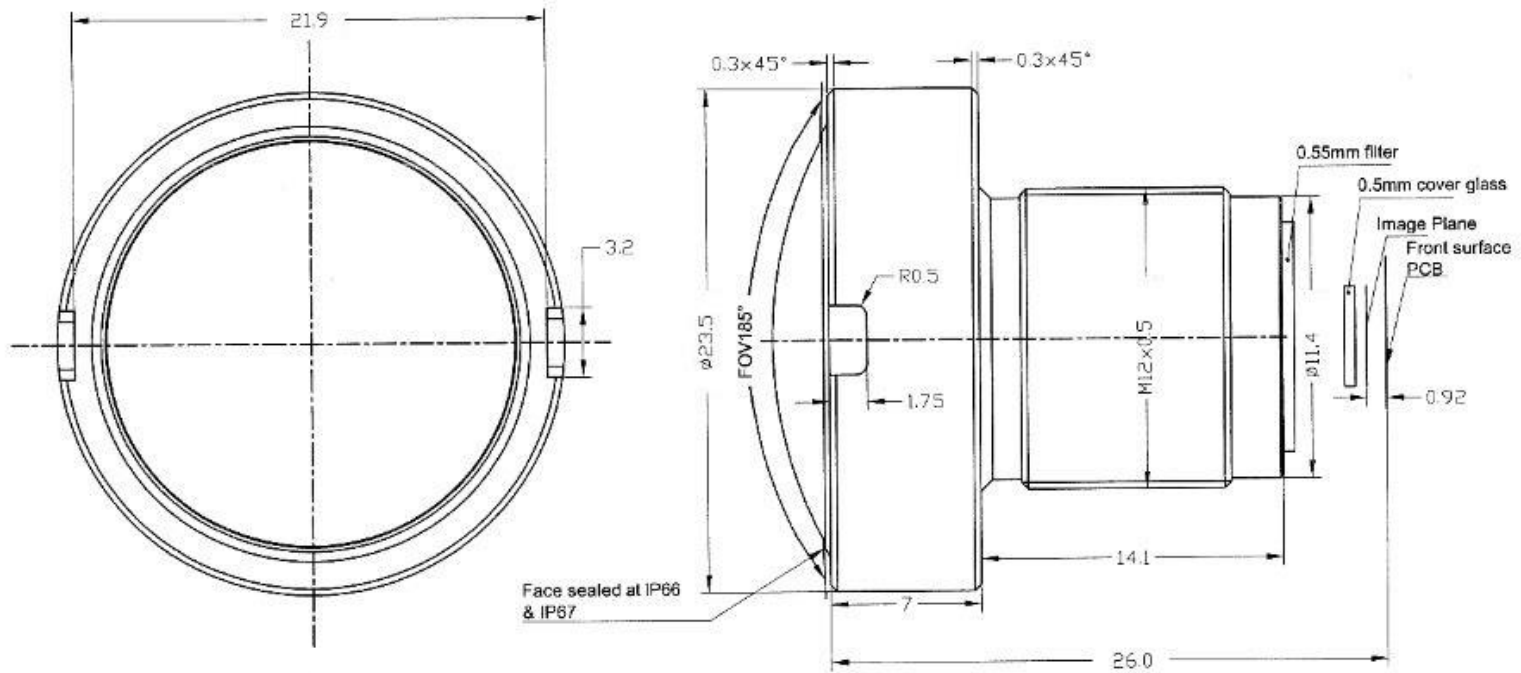
- Security
- Automotive Surround View
- VR/AR
- Drone
- Video Conferencing

Image circle format using a 4:3 aspect ratio imager:

Image Circle vs. Sensor Format



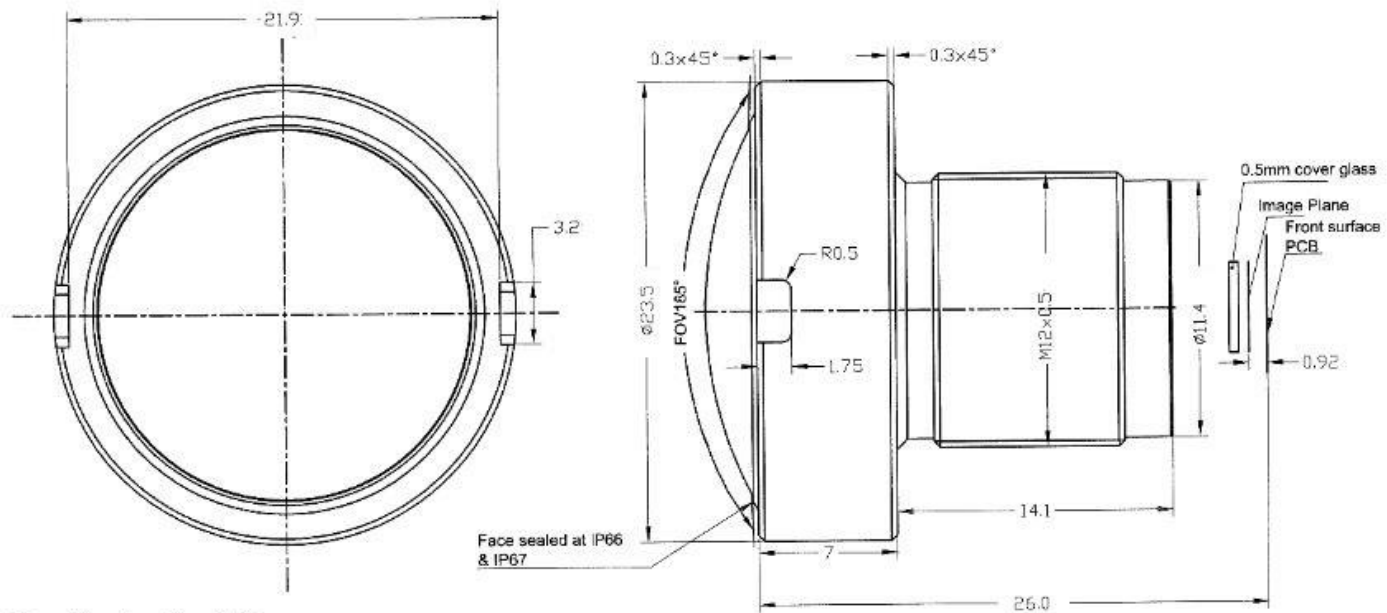
DSL619A-660-F1.8 Mechanical Dimensions [mm]:



Note:

1. Cap and Barrel Material: Anodized AL
2. image circle (design date): $\phi 4.66 \text{ mm} @ 185^\circ$
3. IR cut point: 660 nm
4. EFL: 1.34 mm
5. F# = 1.8

DSL619A-NIR-F1.8 Mechanical Dimensions [mm]:



Note:

- 1.Cap and Barrel Material: Anodized AL
- 2.image circle(design date): $\varnothing 4.66\text{mm}@185^\circ$
- 3.EFL: 1.34mm
- 4.F#=1.8