

Lens for Mega-Pixel Camera Phones



Description

DSL746 is a low-cost, compact lens optimized for 1.3 Megapixel CCD/CMOS camera phones with an imager circle up to 1/3" format.

Key Features

- Lens total track: 6.4mm to the image plane
- Design image circle: up to 1/3" format
- Hybrid design for focus thermal stability
- Low-cost

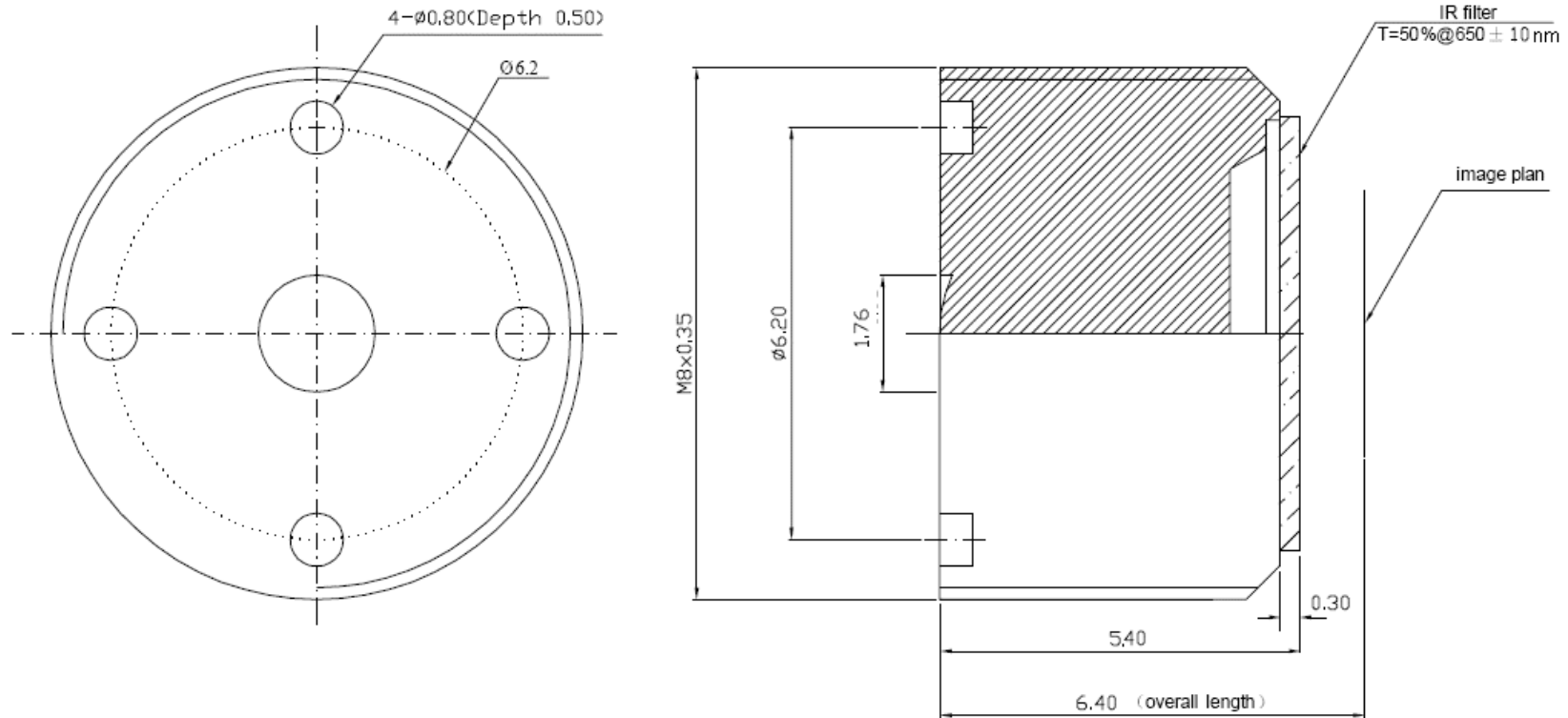
Optical Specifications

Sunex PN DSL746	
Description	Mobile phone lens
Imager Format	1/3"
Nominal Imager Resolution	1.3MP
Focal Length	4.9mm
Relative Aperture (F/#)	F/2.8
Image Circle	6.0mm
Field of View	60° at 6.0mm image circle
Total Track Length	6.4mm
Distortion	-0.9% rectilinear
Chief Ray Angle	≤20° at 6.0mm image circle
IR cut-off filter	Optional

Applications

- Embedded cameras for cell phones.
- Compact digital cameras
- Compact camera modules
- Finite imaging use

DSL746A-650-F2.8 Mechanical Dimensions [mm]:



SUBJECT TO CHANGE WITHOUT NOTICE

Sunex, Inc.
Telephone: +1 760 597 2966
www.sunex.com

DSL746A-NIR-F2.8 Mechanical Dimensions [mm]:

