

Compact DSC Lens For 1/2" CCD/CMOS Imager



Description

DSL900 lens is a multi-element glass lens optimized for mega pixel class imagers. It is especially suited for building high-quality, compact digital cameras because of the low-profile property of the lens design.

Key Features

- High image quality
- Low profile: optical path length <18.1mm from lens front physical surface to the image plane
- All glass elements: compatible with outdoor environment
- Aperture F/3.0: long depth of focus, optimized for fixed focus operation
- Optional self-centering lens holder which minimizes alignment error of the lens to the imager

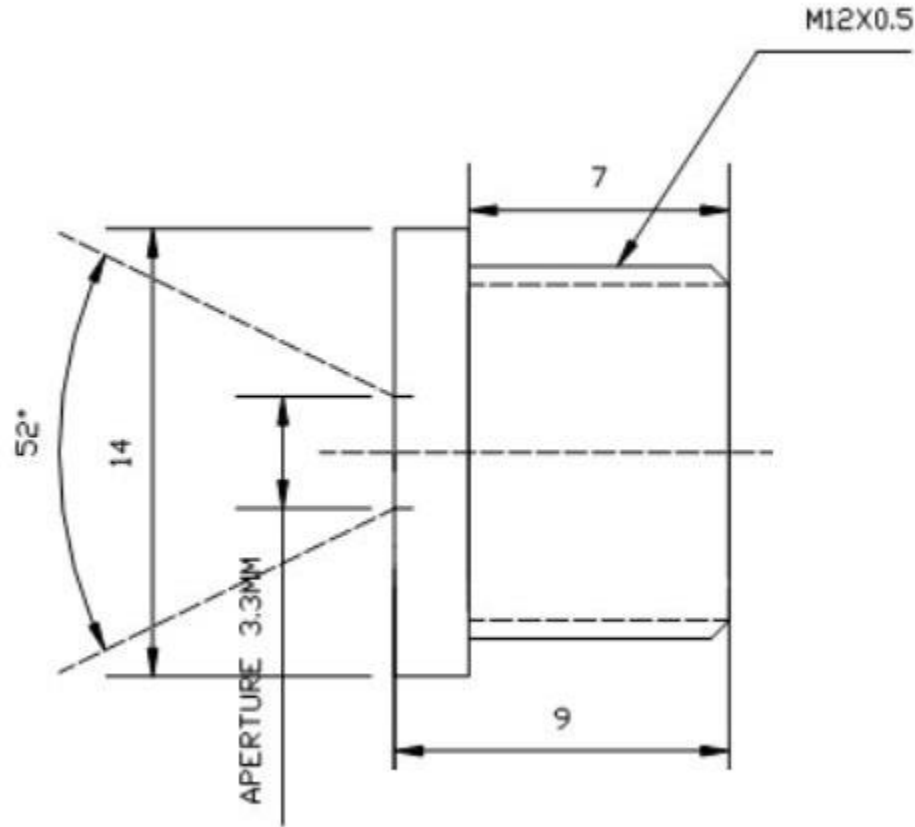
Optical Specifications

Sunex PN DSL900	
Description	Compact DSC lens
Imager Format	1/2"
Nominal Imager Resolution	1.3-2.1MP
Focal Length	9.9mm
Relative Aperture (F/#)	F/3.0
Image Circle	9.2mm
Field of View	52° at 9.2 mm image circle
Total Track Length	16.0mm
Distortion	-0.9% rectilinear
Chief Ray Angle	13° at 9.2mm image circle
IR cut-off filter	Optional

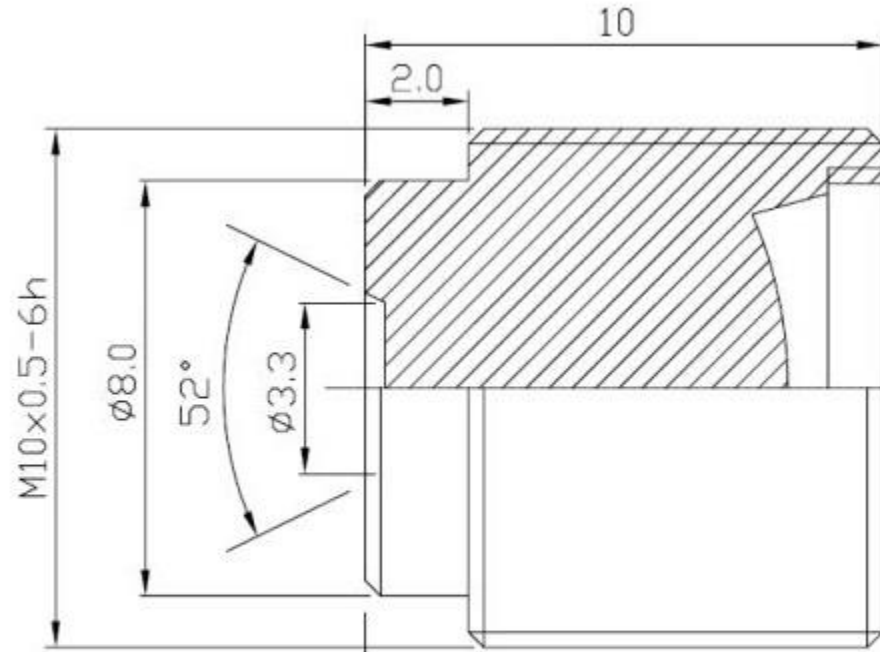
Applications

- Digital Still Cameras with high image quality

DSL900B-NIR-F3.0 Mechanical Dimensions [mm]:

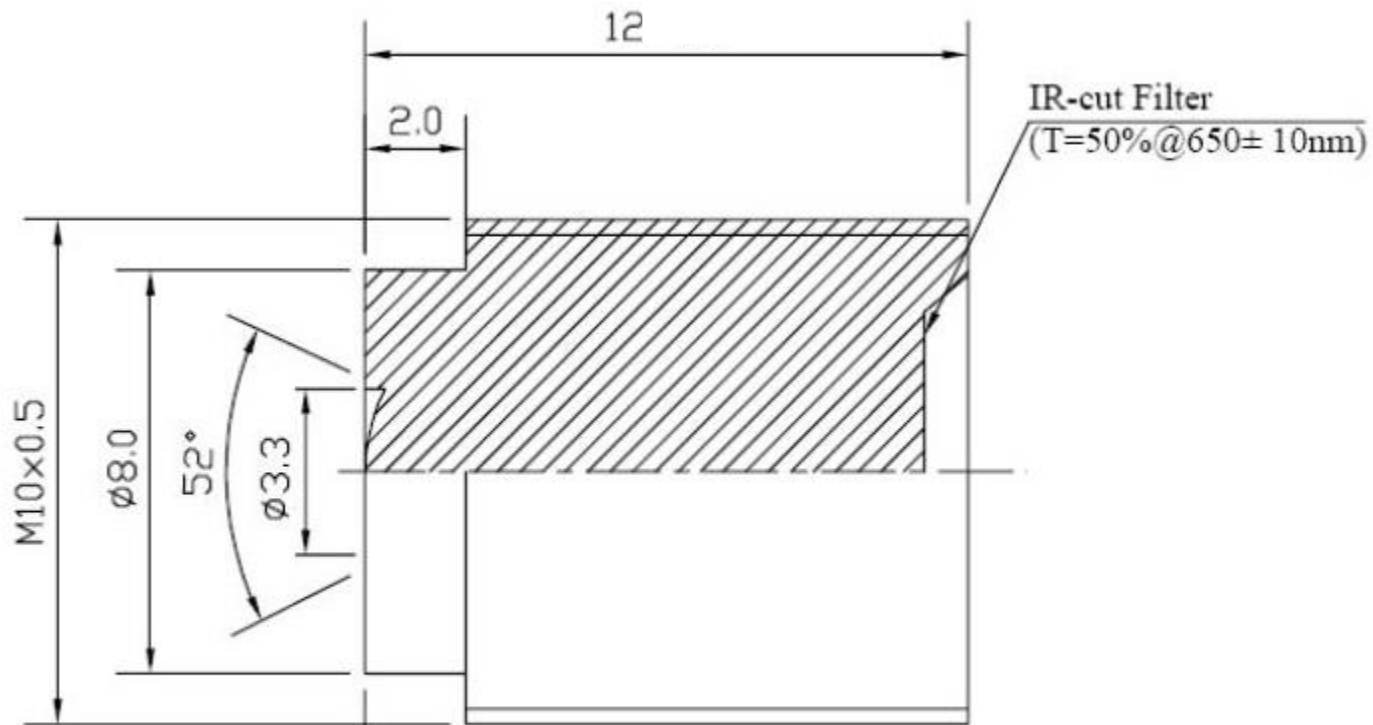


DSL900C-NIR-F3.0 Mechanical Dimensions [mm]:



Barrel material: Al 6061

DSL900D-650-F3.0 Mechanical Dimensions [mm]:



Barrel material: Al 6061